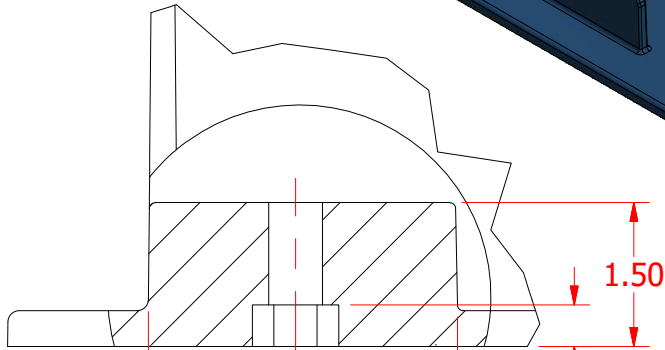
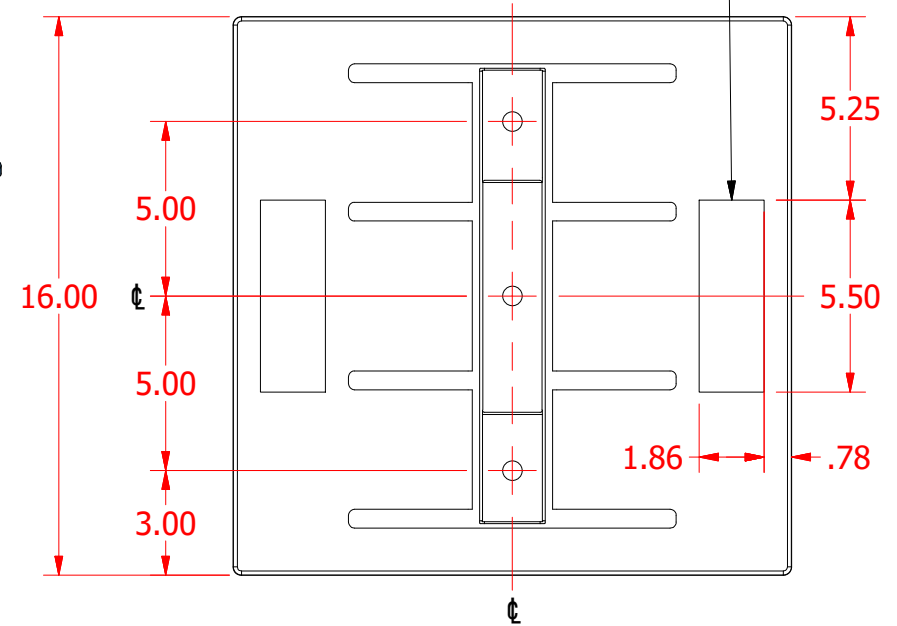
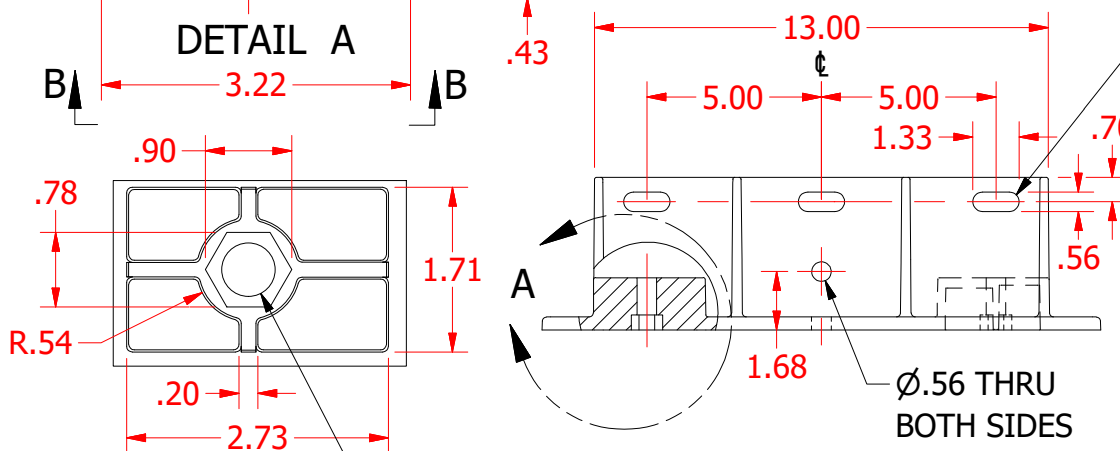


.039" (1mm) RECESS FOR NAME PLATE 2X

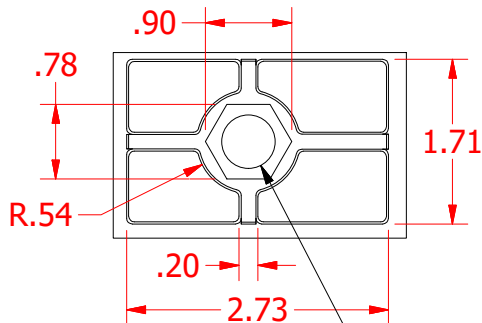
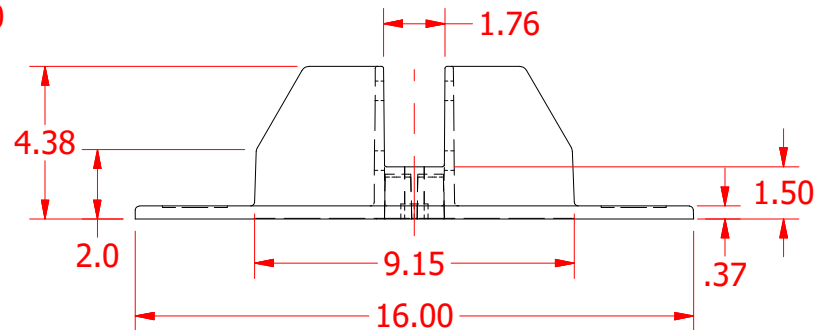


DETAIL A



SLOTS THRU 3X BOTH SIDES

Ø.56 THRU BOTH SIDES



VIEW B

Ø.56 THRU 3X  
HEX C'BORE .43 DEEP 2X

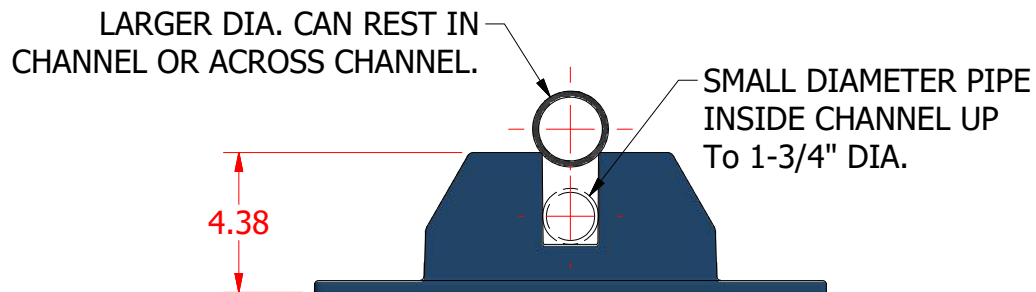
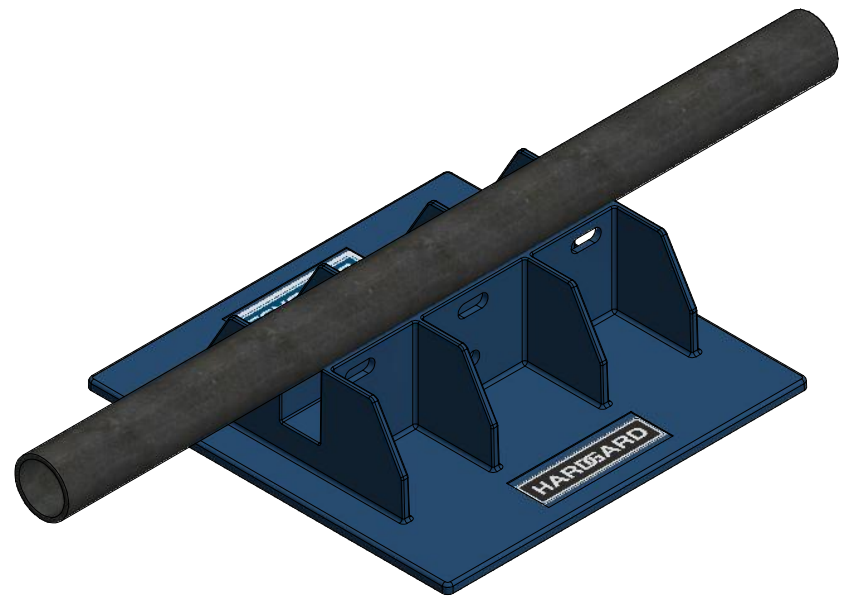
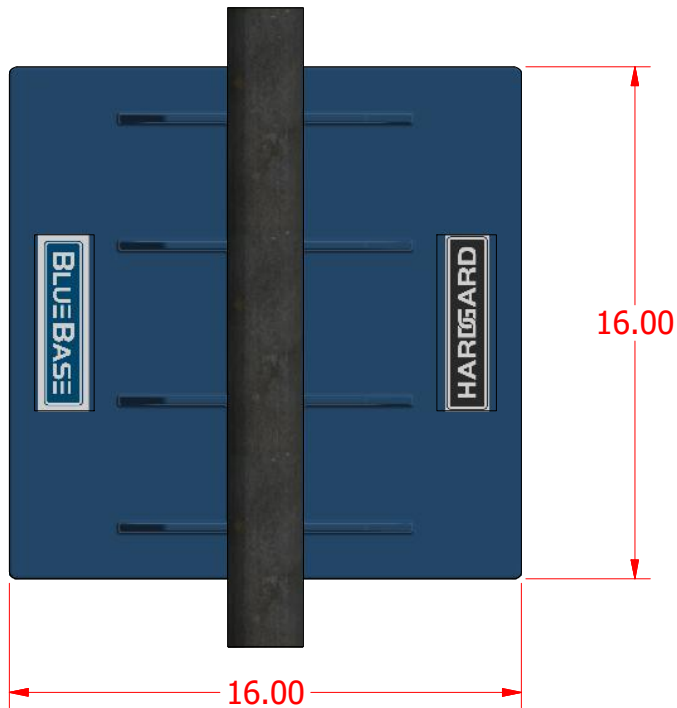
COLOR: BLUE  
MATERIAL: POLYCARBONATE

PRODUCT INFORMATION:

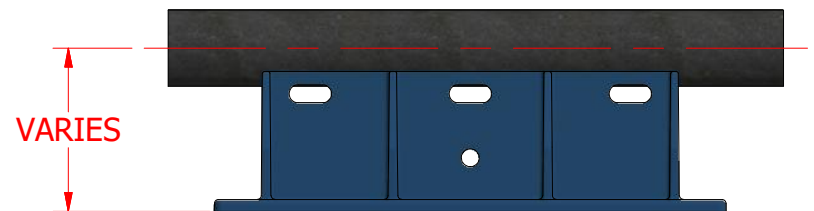
The HARDGARD BlueBase can support multiple types of applications such as pipe and conduit support, Elevated and H-Supports, steel structure and multiple types of platforms.

All Dimensions in INCHES unless otherwise specified

BLUEBASE Multi-Use		
DETAIL DRAWING		
DRAWN CD	DATE 10/5/2018	Sheet 1 of 7



**BASE PIPE SUPPORT**



**PRODUCT INFORMATION:**

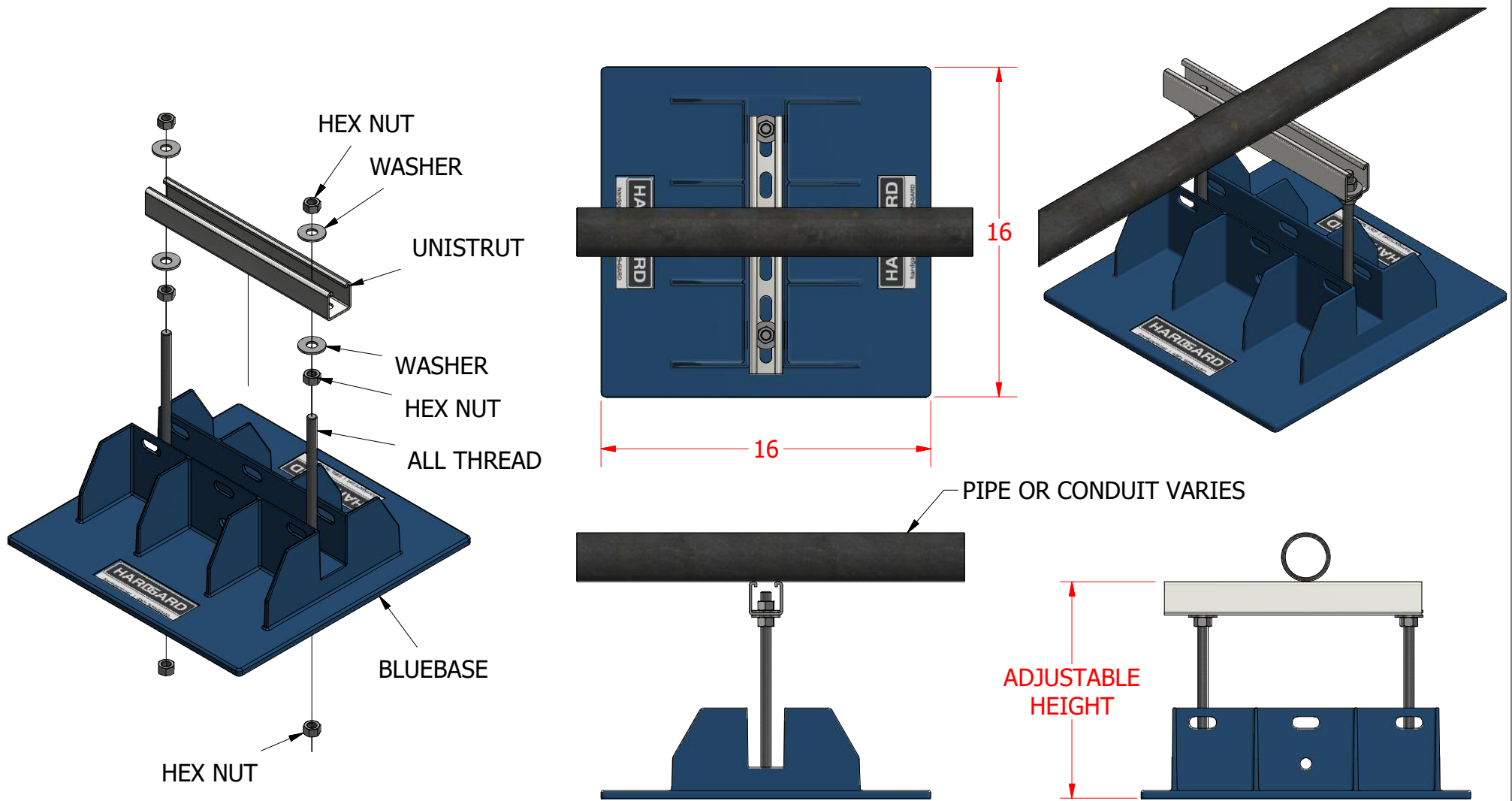
HARDGARD Pipe Supports are designed to provide direct support for gas pipes, conduit and other pipes.

Pipes can rest in the main channel on the BlueBase or across the top edges when BlueBase is rotated.

The HARDGARD BlueBase can be direct support for multiple items.

**Dimensions in inches**

BLUEBASE Multi-Use		
PIPES PLACED DIRECTLY ON TO BASE INSIDE CHANNEL OR ON TOP		
DRAWN CD	DATE 10/5/2018	Sheet 2 of 7



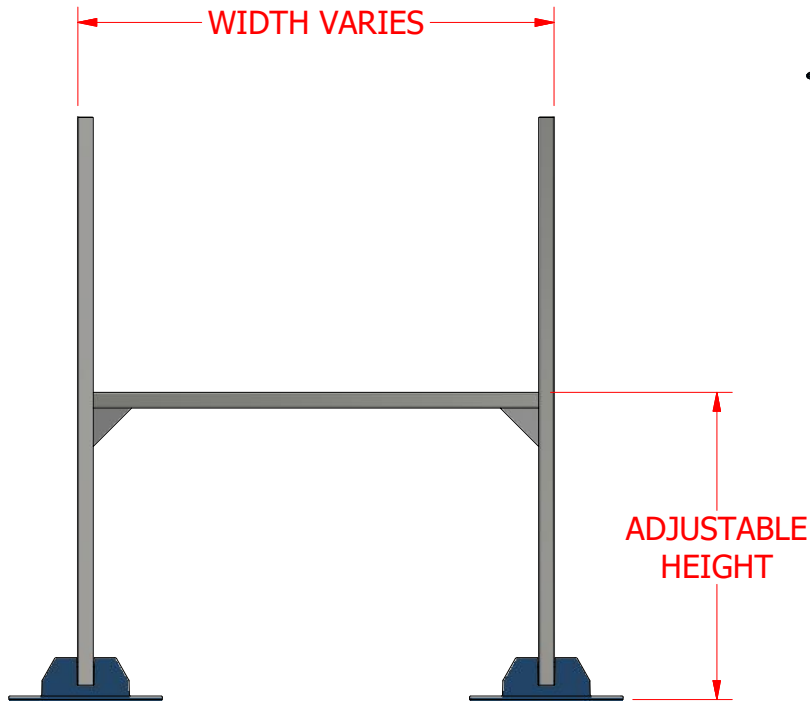
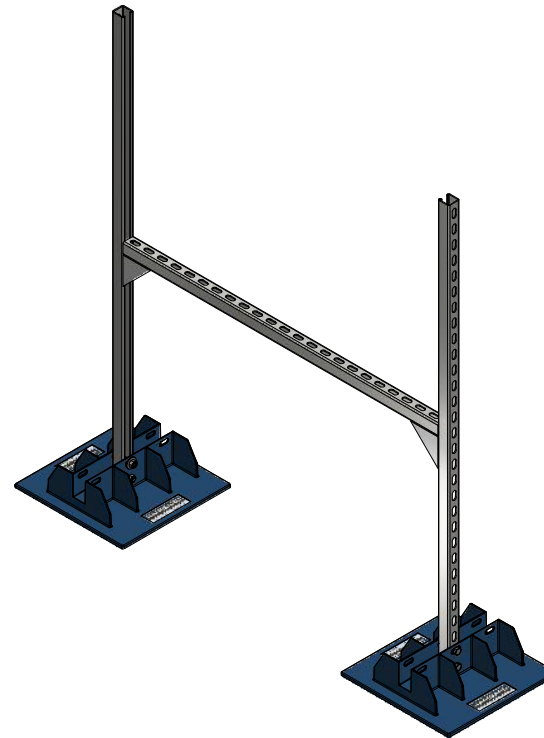
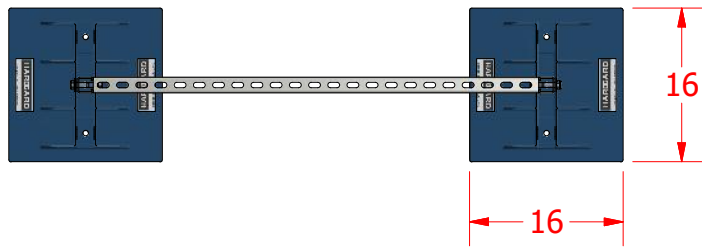
**PRODUCT INFORMATION:**

HARDGARD Elevated Supports are designed to provide an elevated support for gas pipes, conduit and other pipes. The configuration of the platform depends on what type of equipment is supported and can be rails only, grating, flat pan or other supporting components. All Elevated supports have the HARDGARD BlueBase as the base supporting item. Pipe Clamps can be used to fasten the pipes/conduit to the Unistrut.

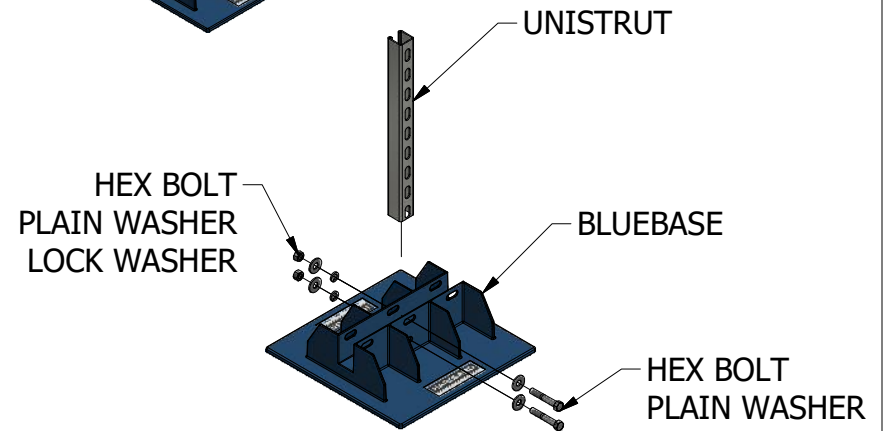
**ELEVATED PIPE AND CONDUIT SUPPORT**

Dimensions in inches

BLUEBASE Multi-Use		
ELEVATED PIPE/CONDUIT SUPPORT		
DRAWN CD	DATE 10/5/2018	Sheet 3 of 7



H-SUPPORT



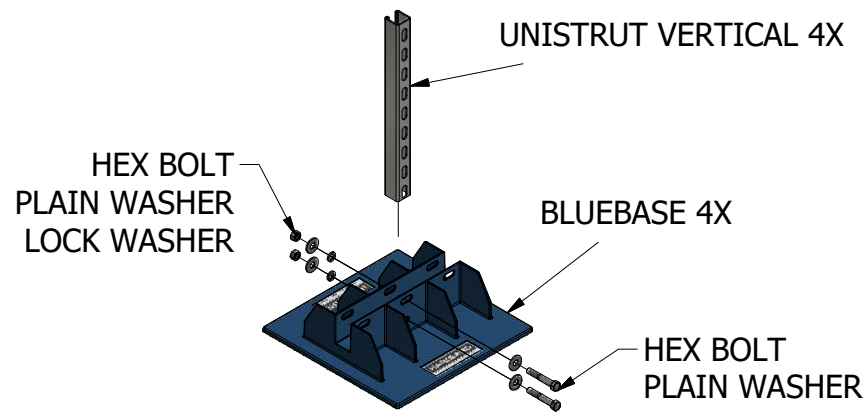
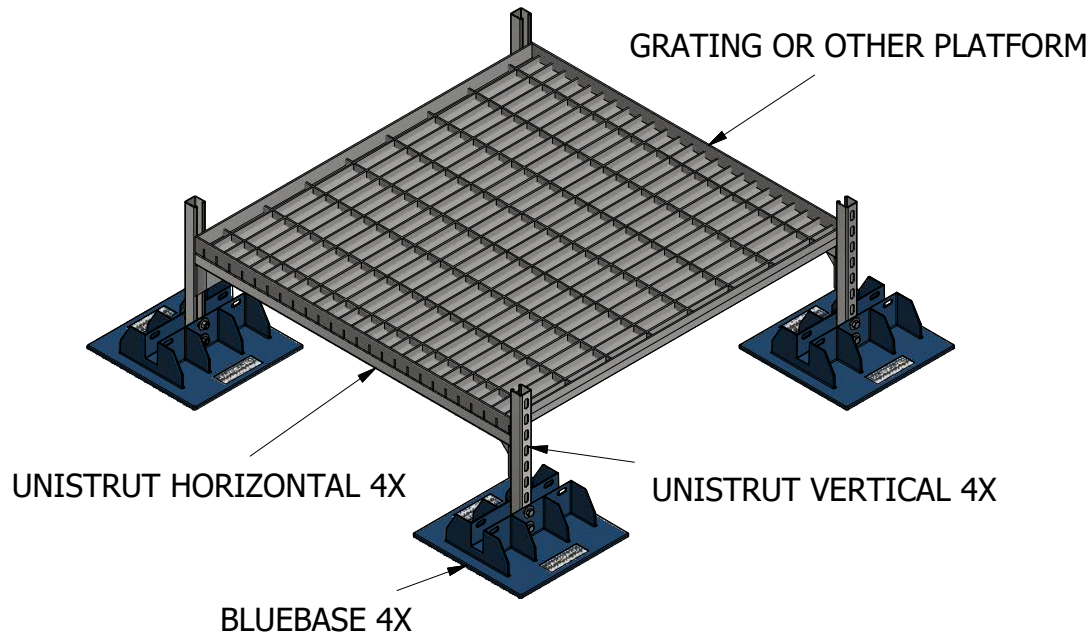
BASE/LEG ASSEMBLY

**PRODUCT INFORMATION:**

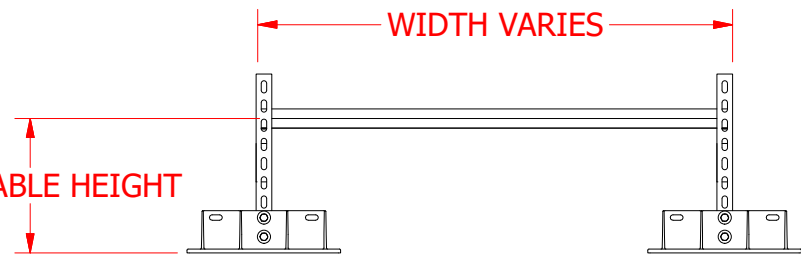
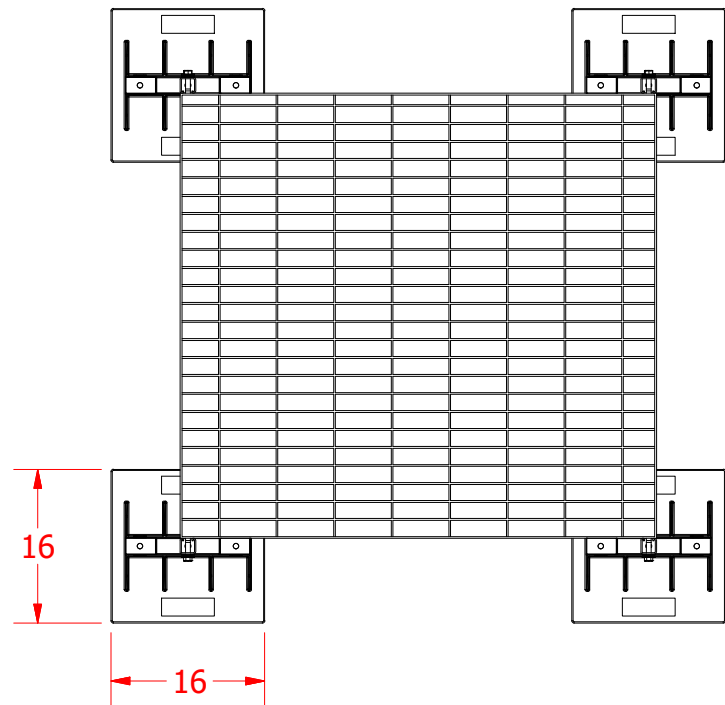
HARDGARD Duct Supports are designed to provide support for single or multiple ducts, conduits, cable trays and more. The size (Height & Width) of the H-Support can be configured based on the size and dimensions of what it will support. All H-Supports have the HARDGARD BlueBase as the base supporting item.

Dimensions in inches

BLUEBASE Multi-Use		
DUCT SUPPORT		
DRAWN CD	DATE 10/5/2018	Sheet 4 of 7



**BASE/LEG ASSEMBLY**



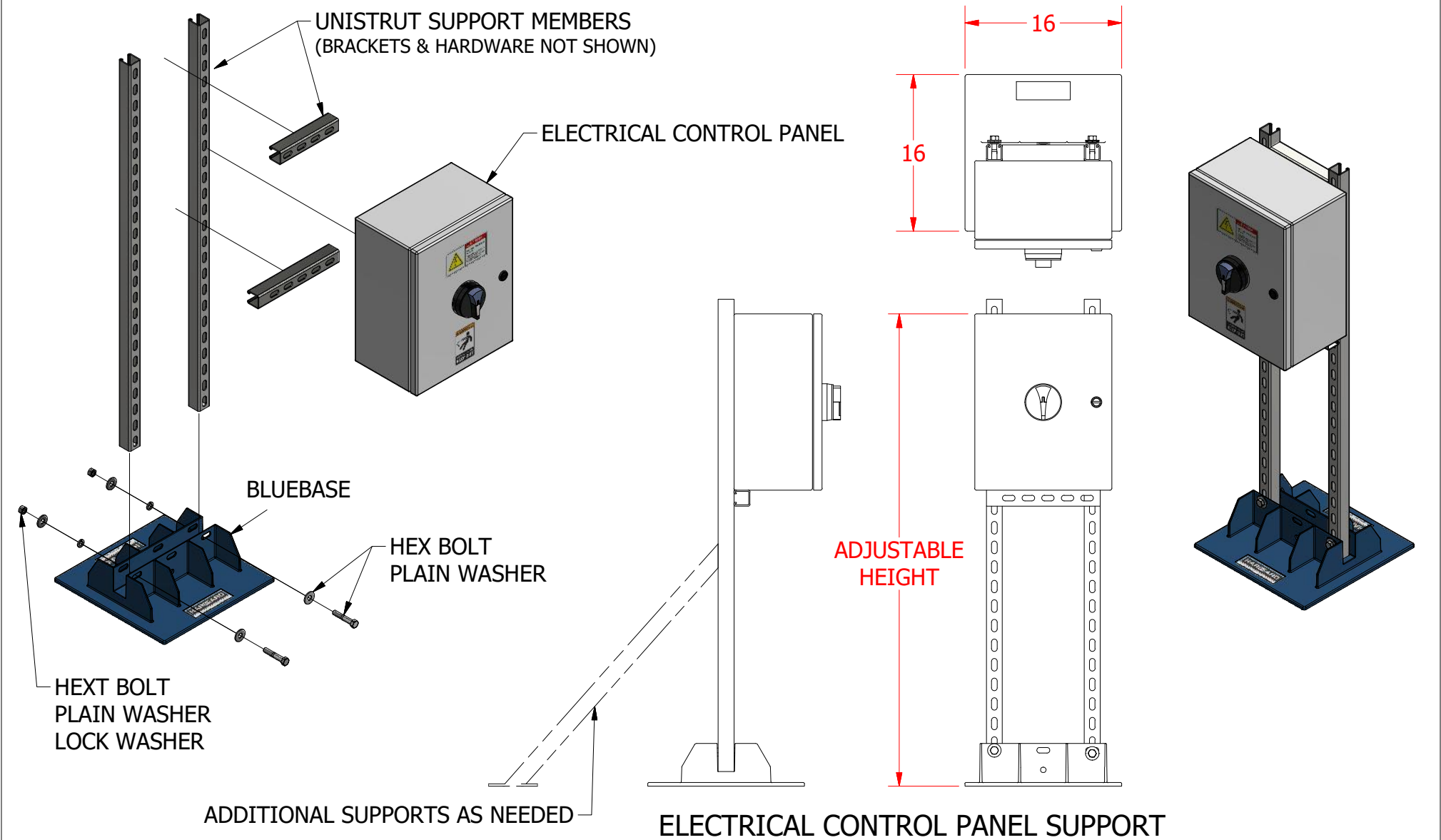
**MECHANICAL SUPPORT**

**PRODUCT INFORMATION:**

HARDGARD Mechanical Supports are designed to provide an elevated platform for mechanical equipment. The configuration of the platform depends on what type of quipment is supported and can be rails only, grating, or other supporting components. All platforms have the HARDGARD BlueBase as the base supporting item.

Dimensions in inches

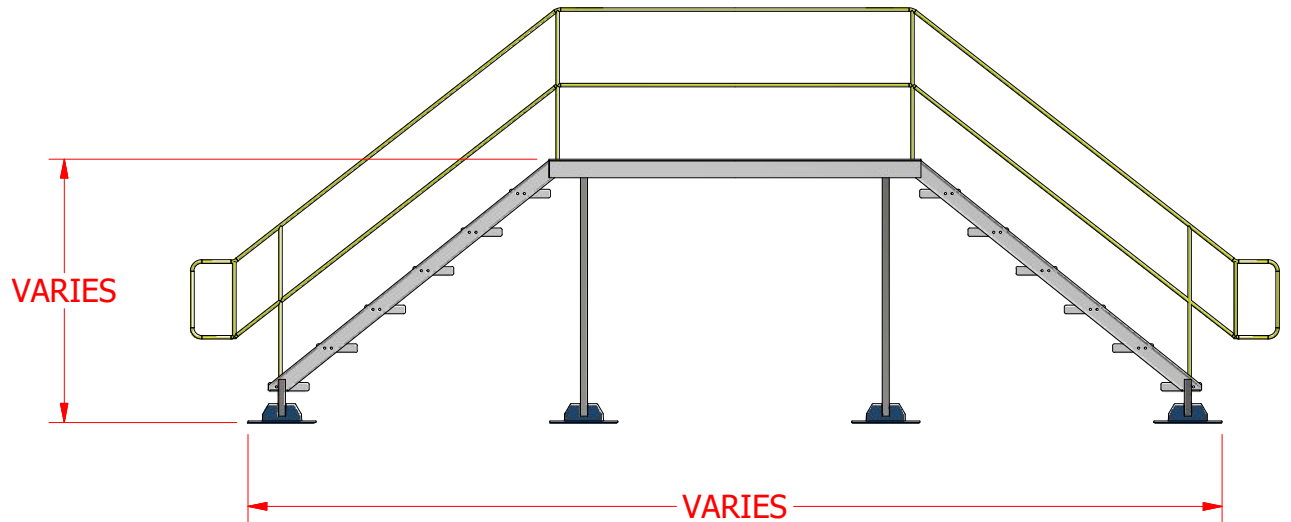
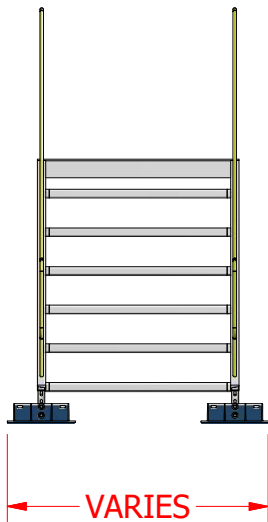
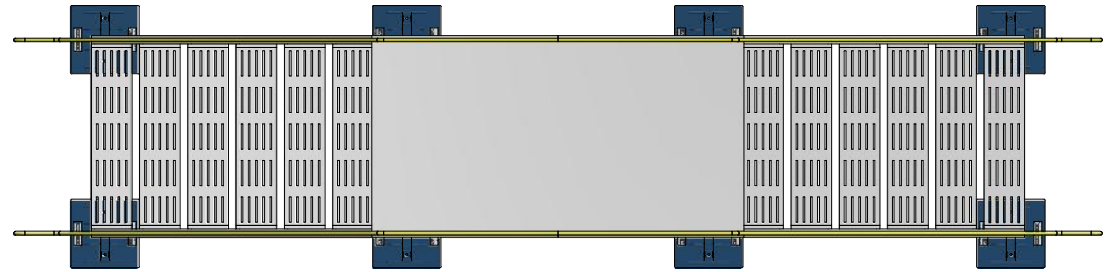
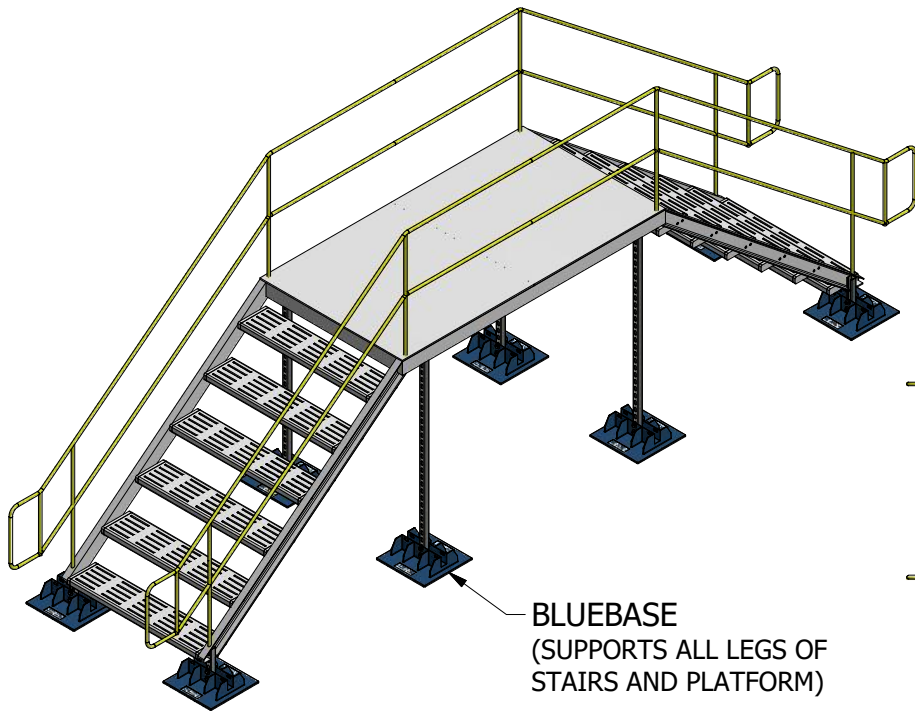
BLUEBASE Multi-Use		
MECHANICAL SUPPORT		
DRAWN CD	DATE 10/5/2018	Sheet 5 of 7



**PRODUCT INFORMATION:**  
 HARDGARD Electrical Control Panel Supports are designed to provide an elevated structure for mounting Electrical Control Panels. Electrical Control Panels can be mounted to vertical UNISTRUT on a single BlueBase or can be mounted to an H-Support between 2 BlueBases for wider control panels. All supports have the HARDGARD BlueBase as the base supporting item.

Dimensions in inches

BLUEBASE Multi-Use		
ELECTRICAL PANEL SUPPORT		
DRAWN CD	DATE 10/5/2018	Sheet 6 of 7



PRODUCT INFORMATION:  
HARDGARD BlueBases can be use as the Base for Walkways and Crossover Platforms

BLUEBASE Multi-Use		<b>BLUEBASE</b>
CROSSOVER PLATFORM		<b>HARDGARD</b>
DRAWN CD	DATE 10/5/2018	