



AlumaGard and WireGard

AGWG-IM-0520

Coil Guards for VRV Outdoor Units
Installation Manual

Now with Spring Clip Attachment!



Warnings, Cautions, and Notices. Note that warnings, cautions, and notices appear at appropriate intervals throughout this manual. Warnings are provided to alert installing contractors to potential hazards that could result in personal injury or death. Cautions are designed to alert personnel to hazardous situations that could result in personal injury, while notices indicate a situation that could result in equipment or property damage only accidents.

Your personal safety and the proper operation of this product depends upon the strict observance of these precautions.

Warning - All field installed wiring must be completed by qualified personnel. All field installed wiring must comply with NEC and applicable local codes. Failure to follow this instruction could result in death or serious injuries.

If there is a risk of arc flash, technicians MUST put on all necessary personal protective equipment (PPE) in accordance with NFPA 70E for arc/flash protection PRIOR to servicing the unit.

Warning - Hazardous Voltage! - Disconnect all electric power, including remote disconnects before servicing or installation. Follow proper lockout/tag out procedures to ensure the power cannot be inadvertently energized. Failure to disconnect power before servicing could result in death or serious injury.

Caution - Sharp Edges - The service procedure described in this document involves working around sharp edges. To avoid being cut, technicians MUST put on all necessary PPE, including gloves and arm guards. Failure to follow recommendations could result in minor to moderate injury.

Unit Inspection

As soon as the kit arrives at the job site:

- Compare the order number, job name, and/or unit tagging on the shipping label with the unit identification information on the ordering and shipping documents to verify that the correct accessory has been received.
- Unit model numbers correspond to the kit sizes provided. See appendix for diagrams of all kit sizes.
- Visually inspect the kit for signs of shipping damage. If external damage is noted, visually inspect the internal components for shipping damage as soon as possible after delivery and before it is stored.
- If concealed damage is discovered:
 - o Notify the carrier's terminal of the damage immediately by phone and by e-mail.
 - o Request an immediate joint inspection of the damage by the carrier and the consignee.
 - o Do not remove damaged material from the receiving location.
 - o Take photos of the damage, if possible. The receiver/owner must provide reasonable evidence that the damage did not occur after delivery.
- Notify the appropriate representative before installing or repairing a damaged component.

Installation

Read the entire manual carefully to become familiar with the installation procedures. Coil guards may be installed before or after the equipment installation. Coil guards may also be installed before or after combined units have been joined.

*****Warning – Hazardous Voltage with Capacitors*****

Disconnect all electrical power, including remote disconnects and discharge all motor start/run capacitors before servicing or installation. Follow proper lockout/tag out procedures to ensure the power cannot be inadvertently energized. Verify with an appropriate voltmeter that all capacitors have discharged. Failure to disconnect power and discharge capacitors before servicing could result in death or serious injury.

Preparing the VRV Outdoor Unit and Coil Guards:

1. Check the model numbers of your outdoor units and **compare them with the packing slip**. On the packing slip you can find HardGard kit numbers corresponding to your equipment models. Some VRV unit model numbers require multiple kits.
 - a. Many mini-split units and smaller VRV-S units require only 2 pieces to be installed.
 - b. Larger VRV-S units may require 3 or 4 pieces.
 - c. VRV-IV units require 5 pieces to cover all the exposed coils.
 - d. Larger capacity VRV-IV units have multiple outdoor units, requiring 10 or 15 pieces.

Sample from Packing Slip

This shipment contains COIL GUARDS for your VRV equipment.



Packing Slip

Customer:	Best Customer	
Customer PO# :	2020-1234	
Job Name:	The Oculus	
Ship Type:	Ship UPS	
# of large boxes:	3	
# of small boxes:	2	

Equipment Model	Qty.
REYQ96TTJU	1
REYQ192TTJU	1
2MXS18NMVJU	1
RXTQ60TAVJU	1
Total	4

Save these kit numbers

Kits Needed per Unit		
DIVL		
DIVL	DIVS	
DA		
DF		

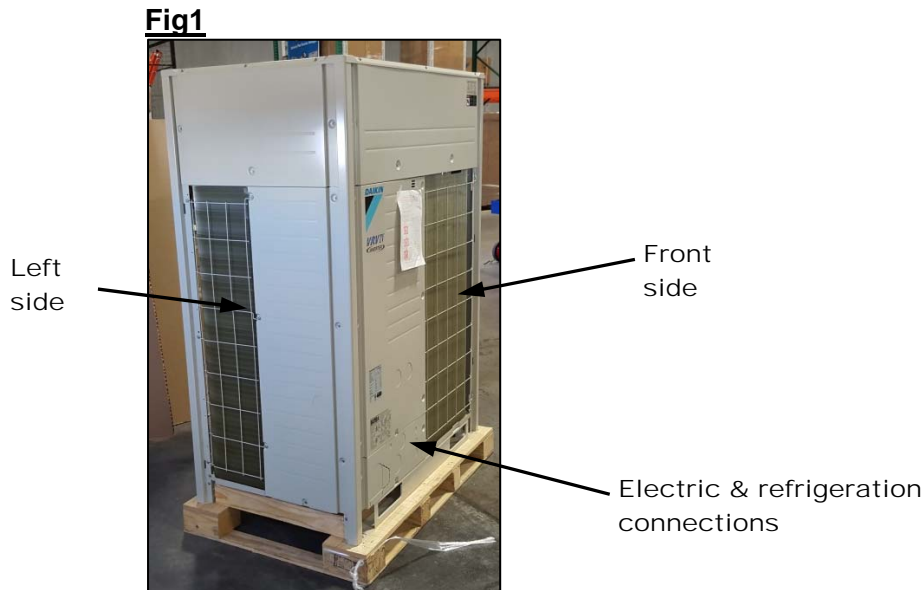
Examine contents of all boxes carefully.

Each shipping carton may contain guards for multiple units.

Look for installation manual and hardware inside of shipping cartons.

The following instructions are for a VRV-IV unit. Mini-splits and smaller equipment use a similar process, but with fewer pieces to be installed. Use these instructions for guidelines to install AlumaGards or WireGards on all units.

2. Identify the side of the VRV outdoor unit that has knock-outs for electrical and refrigeration connections (see Fig1). For the purposes of installation, the connection side of the unit is noted as the “front” side. All other sides are in reference to the front side.



3. Use the appropriate kit drawing at the end of these instructions to identify the coil guard sizes needed and on which sides of the outdoor unit they belong.
4. Coil guards must be installed on all sides of the unit with exposed coils. However, sides that are facing each other, with less than 6” of space between may not require coil guards (owner preference).

Install HardGards:

1. Identify all the pieces required for each unit, and place them near the appropriate area. Use the drawings at the end of this manual to determine the correct piece for each location.

NOTE: Some guards for a single side of the unit may arrive as two twin pieces of equal size. This will be indicated on the kit drawings at the end of these instructions. Find the appropriate guards sizes and install them one above the other. The twin pieces should not be installed side-by-side.

2. Leave all access panels in place.

*****Warning – Be Aware of Components Behind Access Panels*****

Guards that are over access panels should be installed carefully to avoid puncturing a coil or electrical wiring! Use caution, and identify items behind the panel surface that may interfere!

Disconnect all electrical power, including remote disconnects and discharge all motor start/run capacitors before servicing or installation. Follow proper lockout/tag out procedures to ensure the power cannot be inadvertently energized. Verify with an appropriate voltmeter that all capacitors have discharged. Failure to disconnect power and discharge capacitors before servicing could result in death or serious injury.

3. Align the framed coil guard with the corner posts of the VRV unit. Some pieces are designed to be installed with one side over top of an access panel and the other side on the corner post (see Fig2). Other pieces are designed to nest into the corner posts on both sides of the unit (see Fig3).

Fig2 (top view)

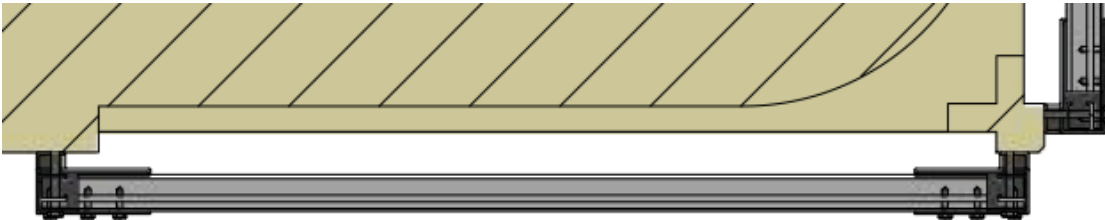
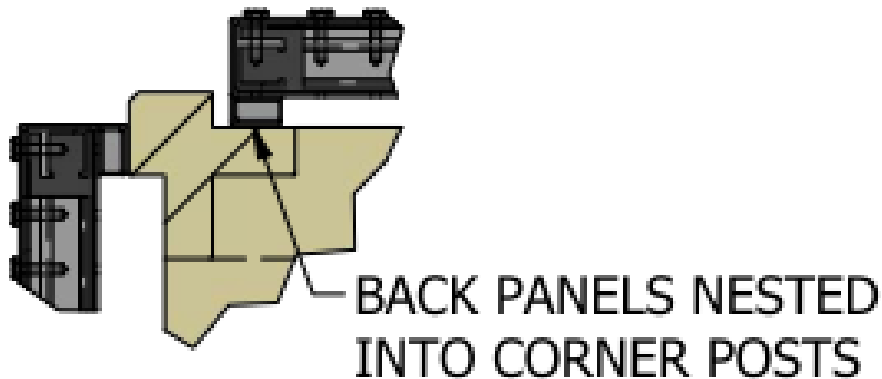
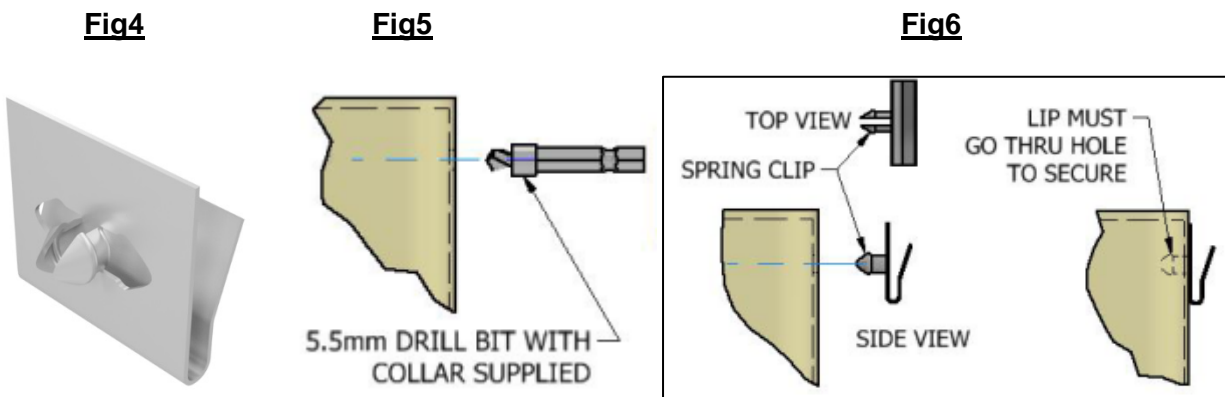


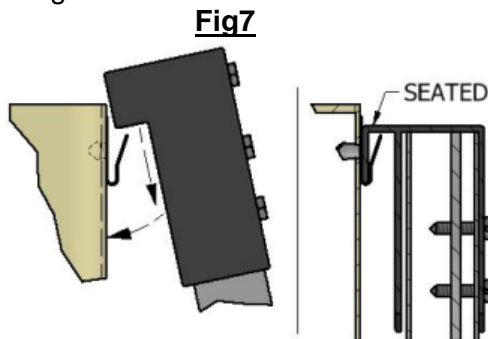
Fig3 (top view)



4. When aligning the frame on the unit for attachment, check for square and level placement.
5. Check for clear, unobstructed attachment points (even behind the surface metal), and check for square and level fitment. Only after verifying should you attach the guards.
6. Using the hardware provided, fasten the guard to the unit.
7. Each guard requires our custom designed spring clips (see Fig4) for the top 2 corners and magnets for the bottom 2 corners.
8. Bottom corners have magnets already installed in the factory. The spring clips for the top 2 corners must be field installed using the steps below.
 - a. Align the guard on the unit, making sure there is no interference with adjacent guards on the sides, beneath, and above.
 - b. Mark the locations for the 2 spring clips so they will be positioned to slip into the top corners of the guard.
 - c. The holes for the spring clips must be drilled with the provided drill bit (see Fig5). Using another bit will not provide the correct size hole and may cause damage to your equipment.
 - d. Drill holes in the VRV unit for the spring clips, and snap the clips into the hole.
 - e. Be sure each spring clip is securely inserted into the hole and cannot be easily pulled free (see Fig6).



9. Hang the guard on the two top spring clips and allow the bottom magnets to stick to the unit surface (see Fig7). Your coil guard is now installed!



Finish and Inspection:

1. Inspect the installation for cleanliness, straightness, and evenness.
2. Verify that two (2) spring clips for each guard are securely fastened. Check that magnets are stuck to the equipment metal surface with no obstructions.

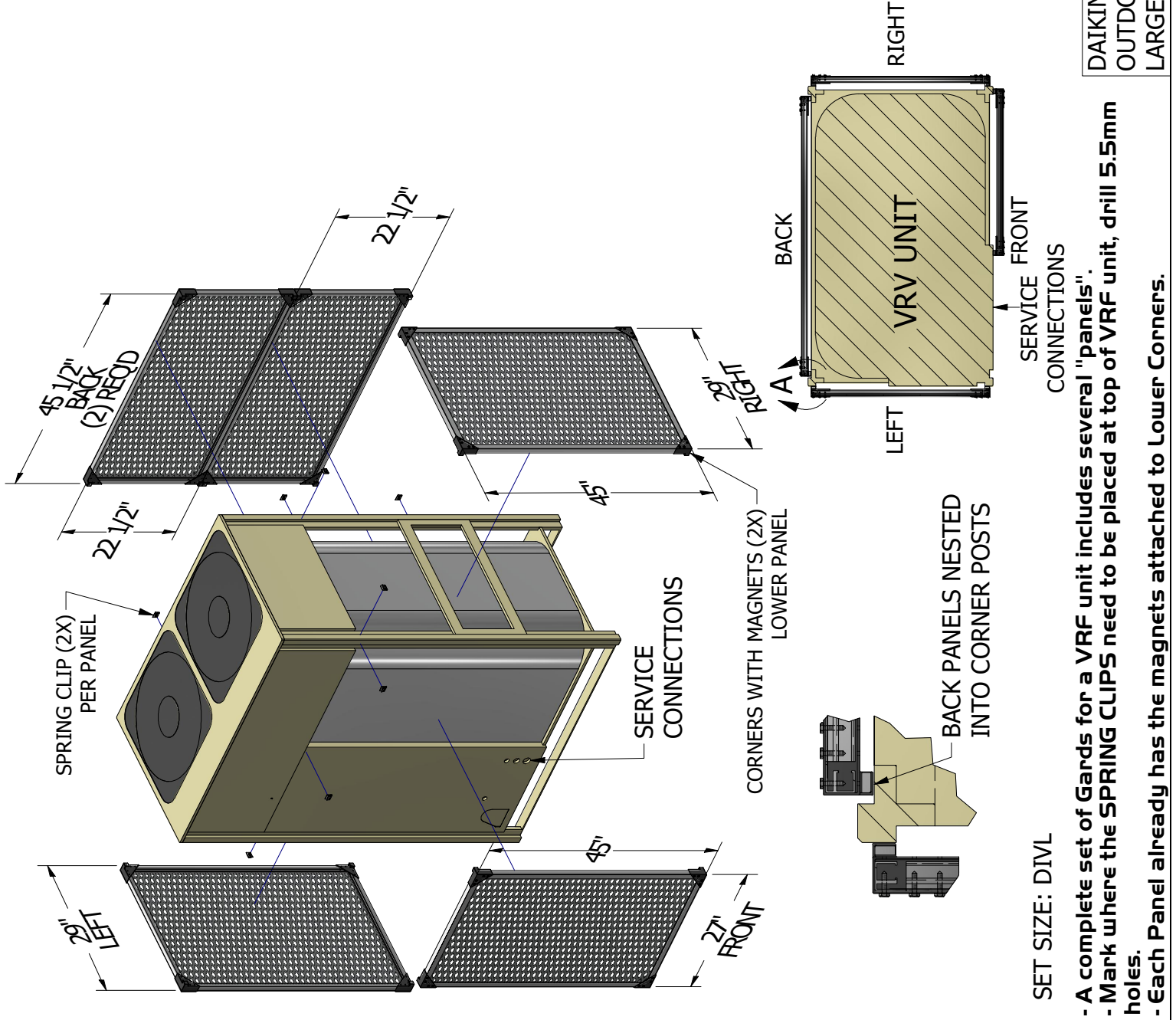
Specifications

1. Description
 - a. AlumaGard and WireGard coil guards by HardGard are assembled, after-market accessories.
 - b. Coil guards are designed to cover exposed coil fins and protect the fins from damage due to natural and environmental elements.
2. Product
 - a. Coil guards come in multiple pieces, which are to be applied to each exposed side of the outdoor unit.
 - b. Construction
 - i. Grade 6061 aluminum frame, with AA15 anodized finish.
 - ii. Cast aluminum, painted corner joints.
 - iii. AlumaGards utilize a heavy gage expanded aluminum material. WireGards utilize a welded wire mesh with a UV inhibiting black PVC coating.
 - iv. Attachment hardware is a stainless-steel spring clip.
 - v. Field installation kits may be bundled or packaged within protective cardboard cartons.

If you have questions about your coil guards please contact your local sales representative, or you can contact HardGard directly.

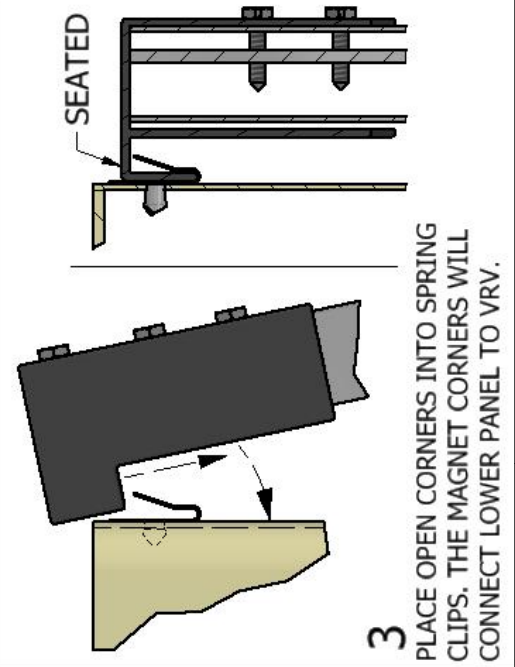
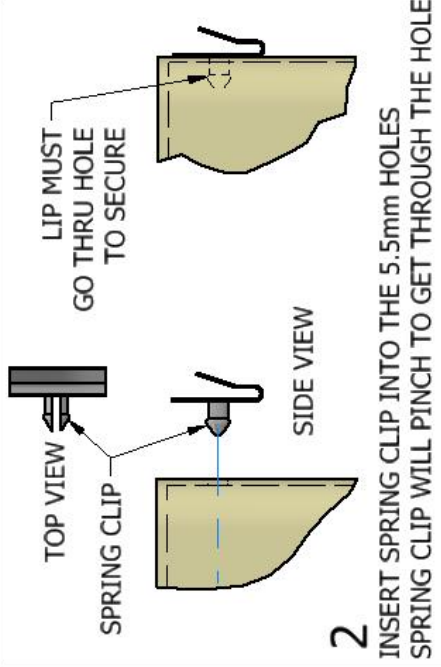
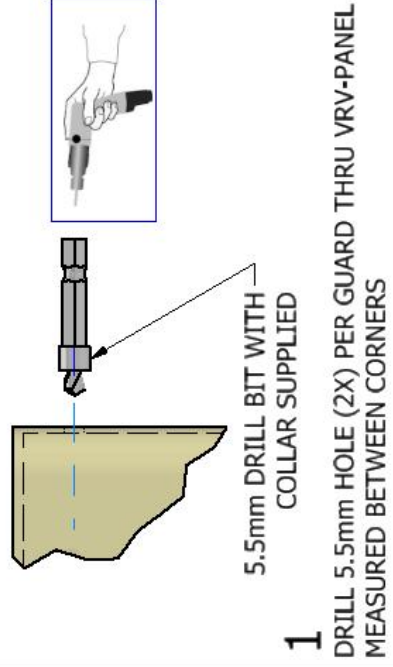


**sales@HardGard.net
1-84-HARDGARD
(1-844-273-4273)**



SET SIZE: DIVL

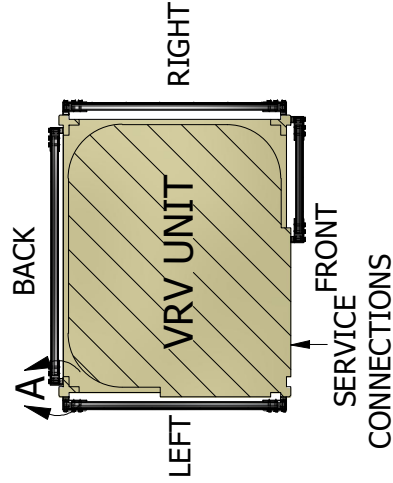
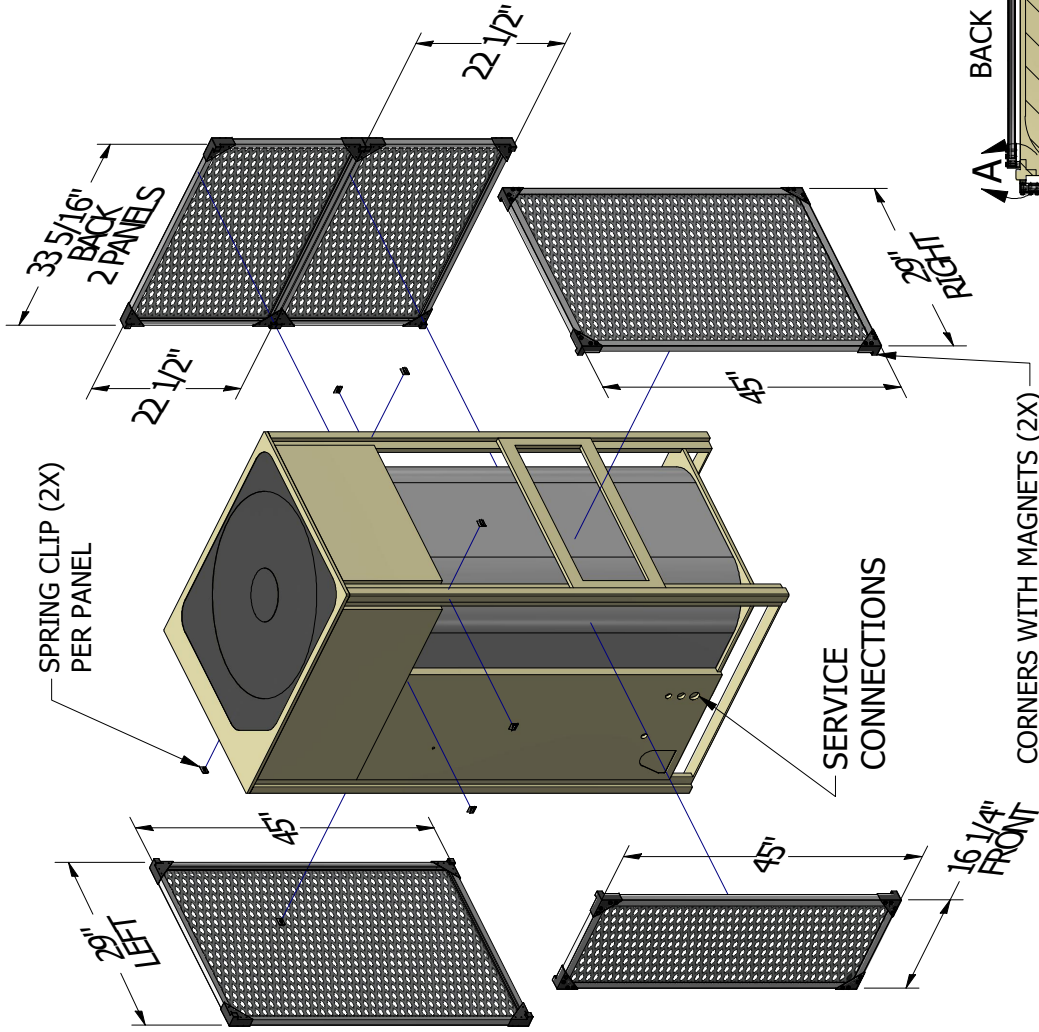
- A complete set of Gards for a VRF unit includes several "panels".
- Mark where the SPRING CLIPS need to be placed at top of VRF unit, drill 5.5mm holes.
- Each Panel already has the magnets attached to Lower Corners.



DAIKIN VRV-IV
OUTDOOR UNIT
LARGE CABINET

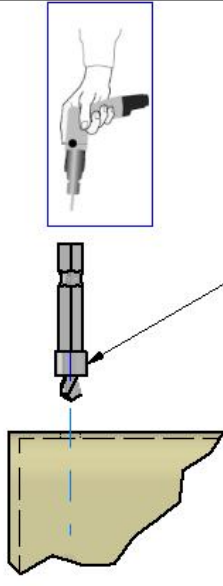
AlumaGard & WireGard

HARDGARD

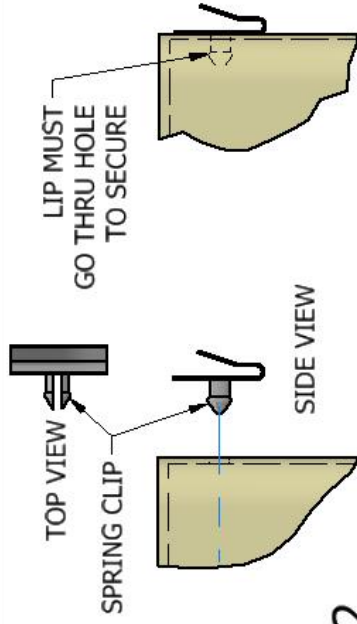


SET SIZE: DIVS

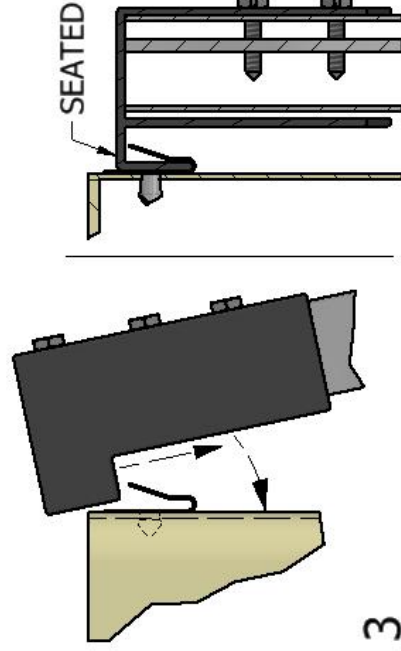
- A complete set of Gards for a VRF unit includes several "panels".
- Mark where the SPRING CLIPS need to be placed at top of VRF unit, drill 5.5mm holes.
- Each Panel already has the magnets attached to Lower Corners.



1 5.5mm DRILL BIT WITH COLLAR SUPPLIED
 DRILL 5.5mm HOLE (2X) PER GUARD THRU VRV-PANEL MEASURED BETWEEN CORNERS



2 INSERT SPRING CLIP INTO THE 5.5mm HOLES
 SPRING CLIP WILL PINCH TO GET THROUGH THE HOLE

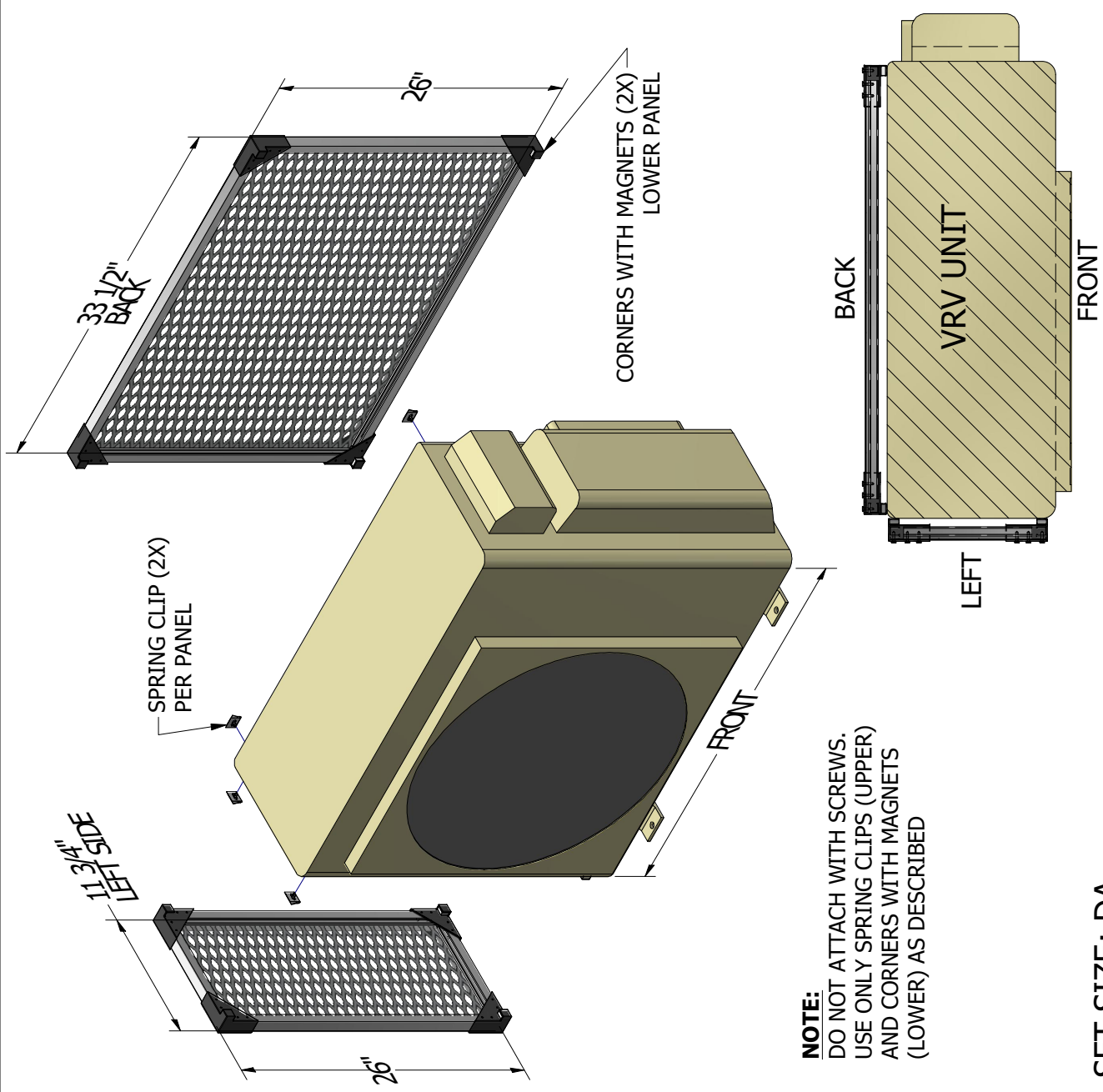


3 PLACE OPEN CORNERS INTO SPRING CLIPS. THE MAGNET CORNERS WILL CONNECT LOWER PANEL TO VRV.

DAIKIN VRV-IV
 OUTDOOR UNIT
 SMALL CABINET

AlumaGard & WireGard

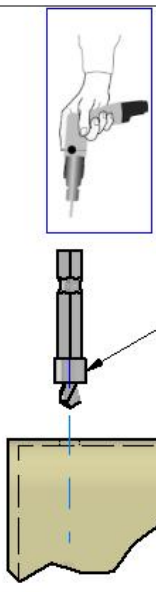
HARDGARD



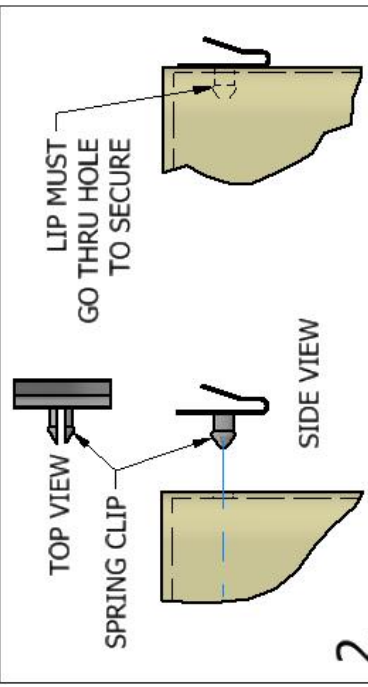
NOTE:
 DO NOT ATTACH WITH SCREWS.
 USE ONLY SPRING CLIPS (UPPER)
 AND CORNERS WITH MAGNETS
 (LOWER) AS DESCRIBED

SET SIZE: DA

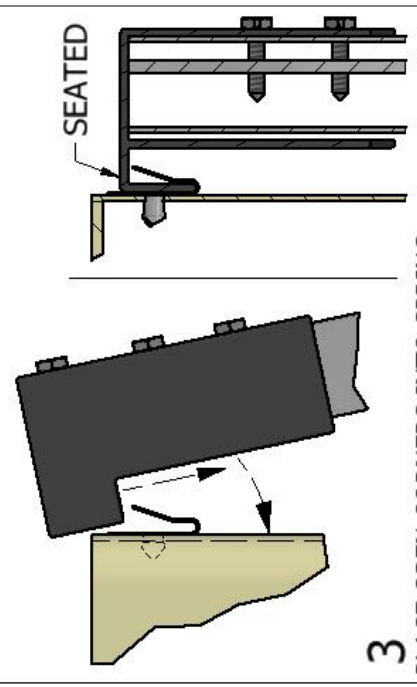
- A complete set of Gards for a VRF unit includes several "panels".
- Mark where the SPRING CLIPS need to be placed at top of VRF unit, drill 5.5mm holes.
- Each Panel already has the magnets attached to Lower Corners.



1
 5.5mm DRILL BIT WITH COLLAR SUPPLIED
 DRILL 5.5mm HOLE (2X) PER GUARD THRU VRV-PANEL MEASURED BETWEEN CORNERS



2
 INSERT SPRING CLIP INTO THE 5.5mm HOLES
 SPRING CLIP WILL PINCH TO GET THROUGH THE HOLE

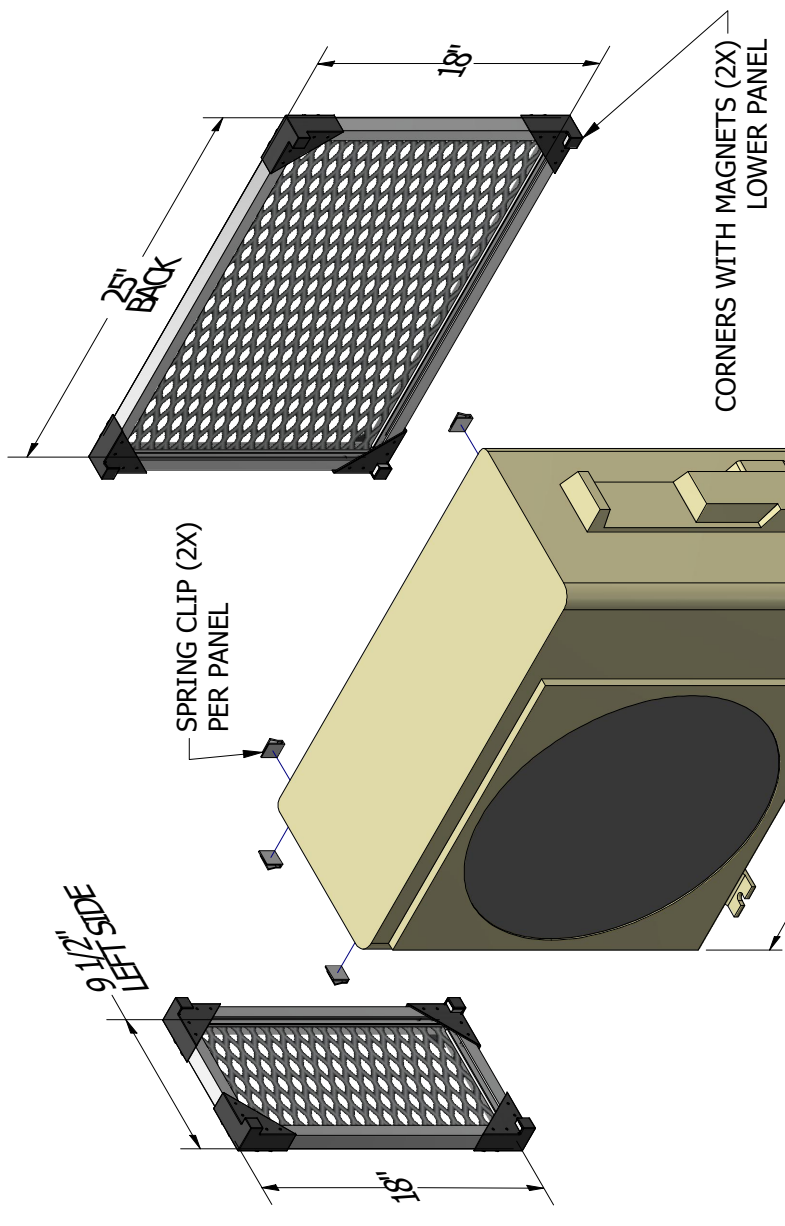


3
 PLACE OPEN CORNERS INTO SPRING CLIPS. THE MAGNET CORNERS WILL CONNECT LOWER PANEL TO VRV.

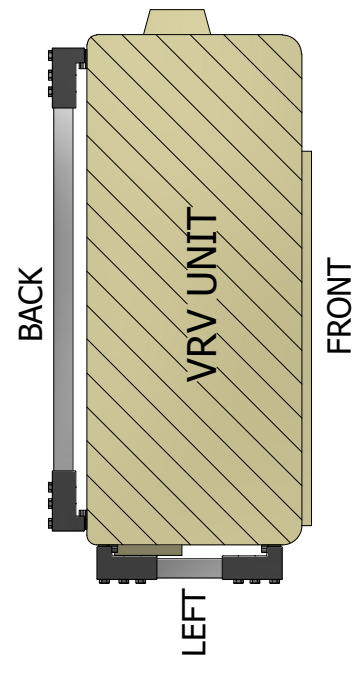
DAIKIN VRV
 OUTDOOR UNIT
 MINI SPLIT

AlumaGard & WireGard

HARDGARD

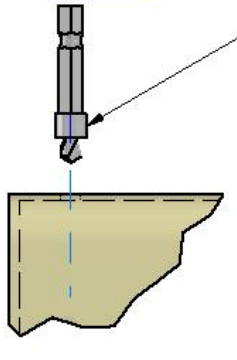


NOTE:
DO NOT ATTACH WITH SCREWS.
USE ONLY SPRING CLIPS (UPPER)
AND CORNERS WITH MAGNETS
(LOWER) AS DESCRIBED

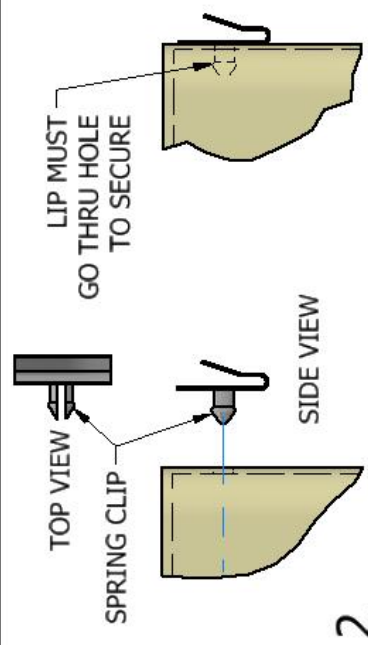


SET SIZE: DB

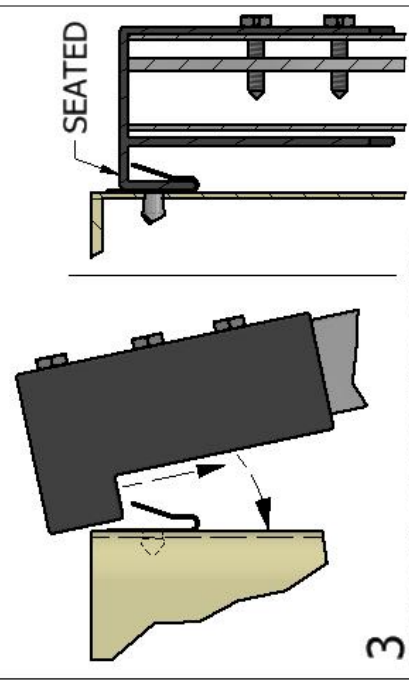
- A complete set of Gards for a VRF unit includes several "panels".
- Mark where the **SPRING CLIPS** need to be placed at top of VRF unit, drill 5.5mm holes.
- Each Panel already has the magnets attached to Lower Corners.



1
5.5mm DRILL BIT WITH COLLAR SUPPLIED
DRILL 5.5mm HOLE (2X) PER GUARD THRU VRF-PANEL MEASURED BETWEEN CORNERS



2
INSERT SPRING CLIP INTO THE 5.5mm HOLES
SPRING CLIP WILL PINCH TO GET THROUGH THE HOLE

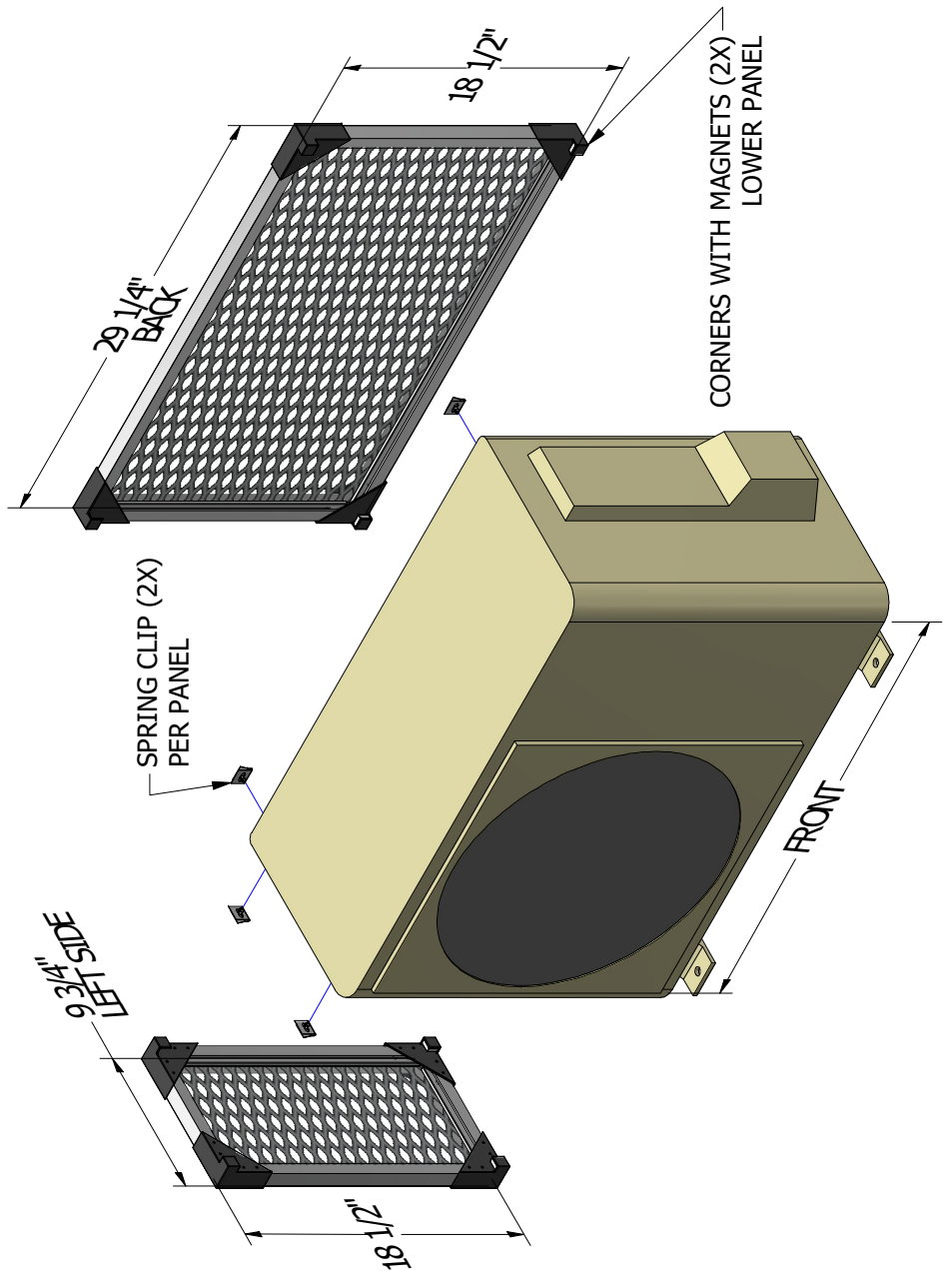


3
PLACE OPEN CORNERS INTO SPRING CLIPS, THE MAGNET CORNERS WILL CONNECT LOWER PANEL TO VRF.

DAIKIN VRF
OUTDOOR UNIT
MINI SPLIT

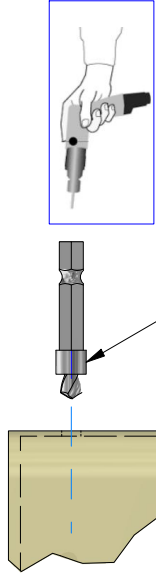
AlumaGard & WireGard

HARIGARD

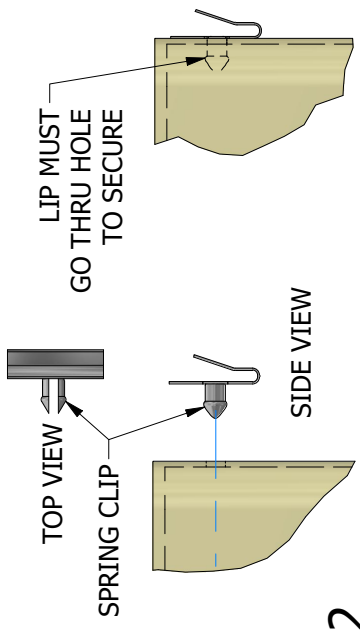


NOTE:
DO NOT ATTACH WITH SCREWS.
USE ONLY SPRING CLIPS (UPPER)
AND CORNERS WITH MAGNETS
(LOWER) AS DESCRIBED

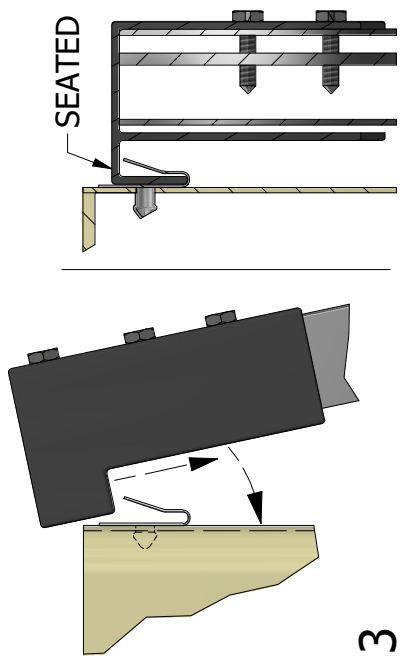
- SET SIZE: DC**
- A complete set of Gards for a VRF unit includes several "panels".
 - Mark where the **SPRING CLIPS** need to be placed at top of VRF unit, drill 5.5mm holes.
 - Each Panel already has the magnets attached to Lower Corners.



1
5.5mm DRILL BIT WITH COLLAR SUPPLIED
DRILL 5.5mm HOLE (2X) PER GUARD THRU VRV-PANEL MEASURED BETWEEN CORNERS



2
INSERT SPRING CLIP INTO THE 5.5mm HOLES
SPRING CLIP WILL PINCH TO GET THROUGH THE HOLE

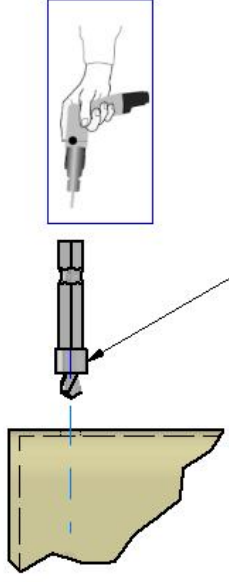
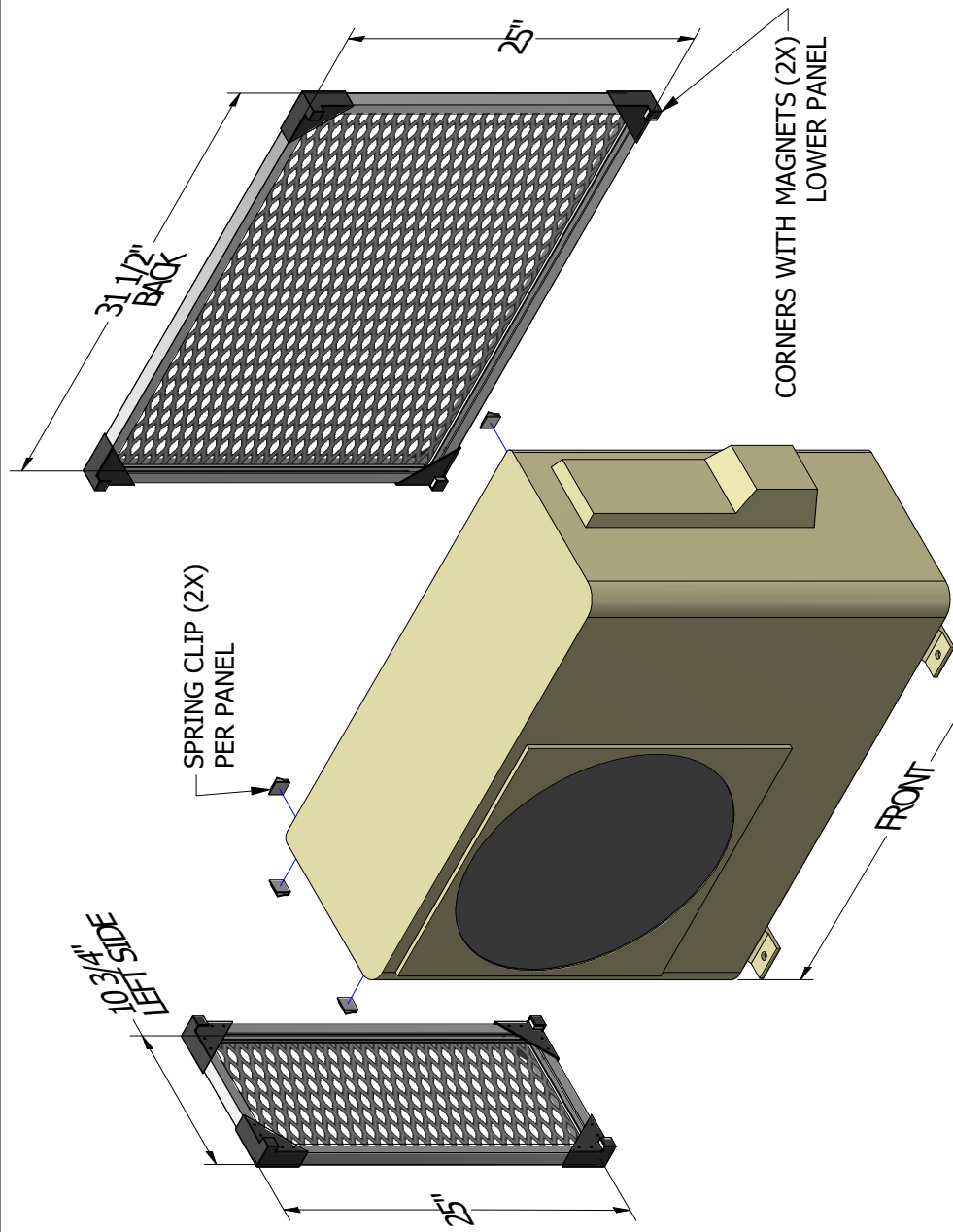


3
PLACE OPEN CORNERS INTO SPRING CLIPS. THE MAGNET CORNERS WILL CONNECT LOWER PANEL TO VRV.

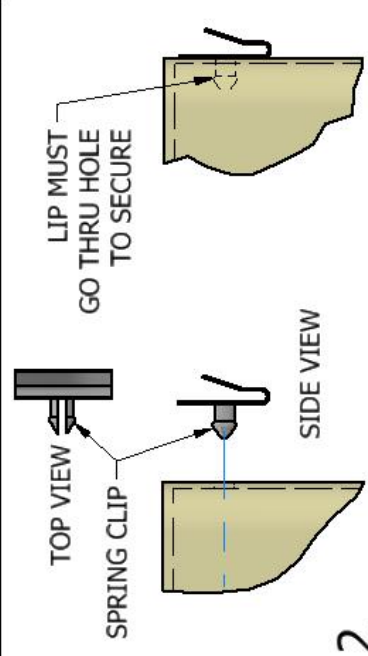
DAIKIN VRV
OUTDOOR UNIT
MINI SPLIT

AlumaGard & WireGard

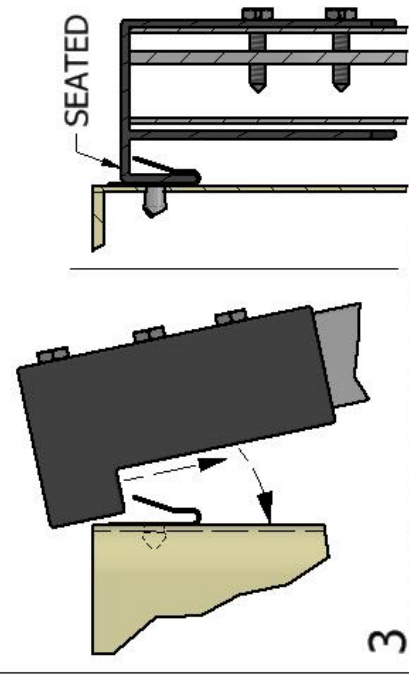
HARIGARD



1
5.5mm DRILL BIT WITH COLLAR SUPPLIED
DRILL 5.5mm HOLE (2X) PER GUARD THRU VRV-PANEL MEASURED BETWEEN CORNERS



2
INSERT SPRING CLIP INTO THE 5.5mm HOLES
SPRING CLIP WILL PINCH TO GET THROUGH THE HOLE



3
PLACE OPEN CORNERS INTO SPRING CLIPS. THE MAGNET CORNERS WILL CONNECT LOWER PANEL TO VRV.

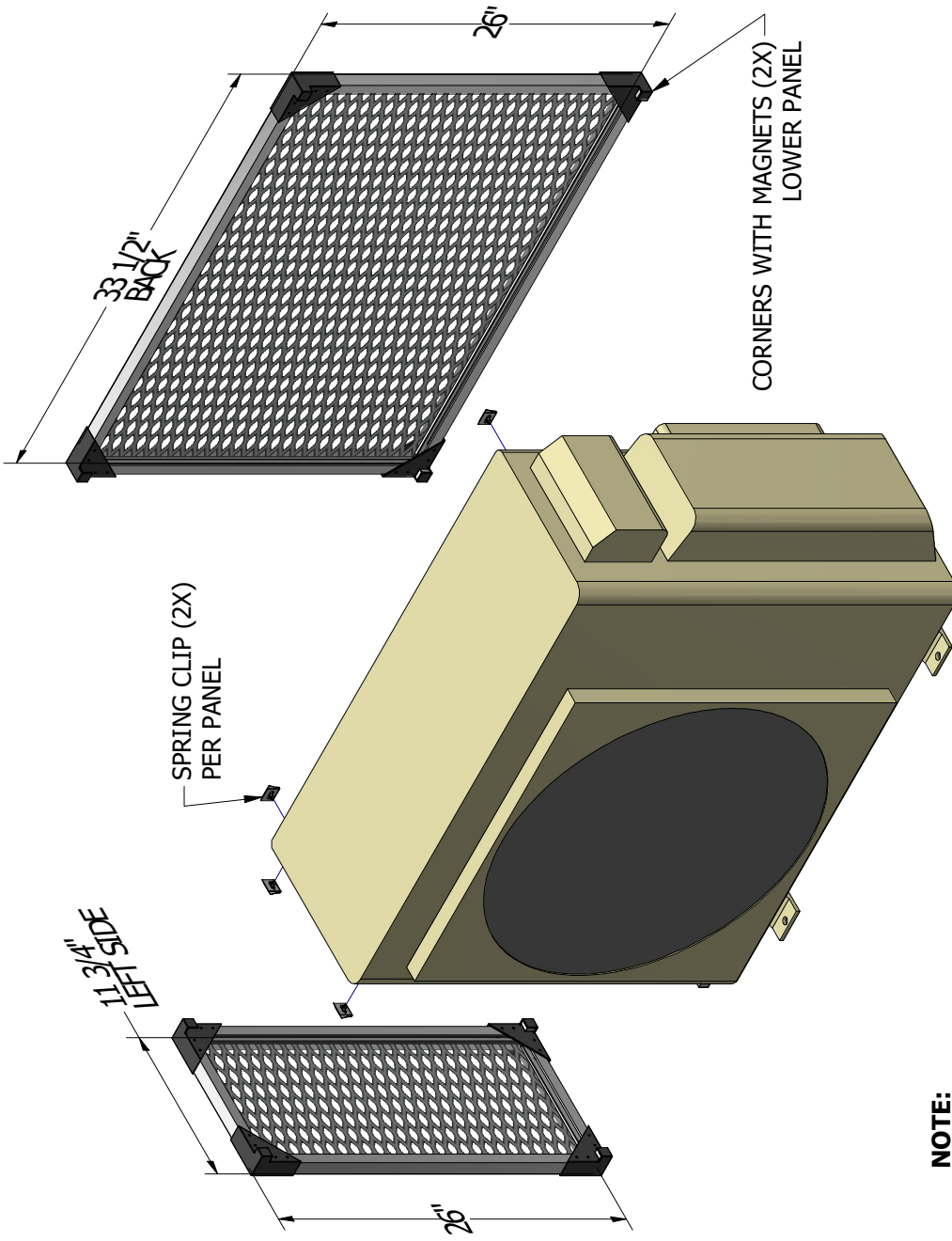
SET SIZE: DD

- A complete set of Gards for a VRF unit includes several "panels".
- Mark where the SPRING CLIPS need to be placed at top of VRF unit, drill 5.5mm holes.
- Each Panel already has the magnets attached to Lower Corners.

DAIKIN VRV
OUTDOOR UNIT
MINI SPLIT

AlumaGard & WireGard

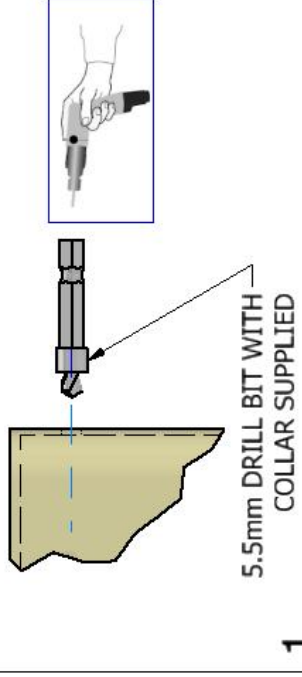
HARDGARD



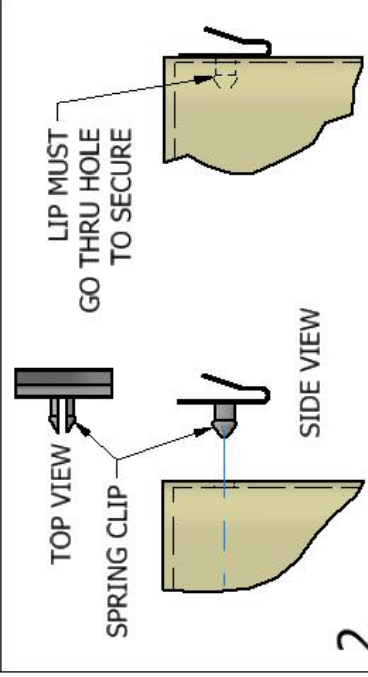
NOTE:
 DO NOT ATTACH WITH SCREWS.
 USE ONLY SPRING CLIPS (UPPER)
 AND CORNERS WITH MAGNETS
 (LOWER) AS DESCRIBED

SET SIZE: DE

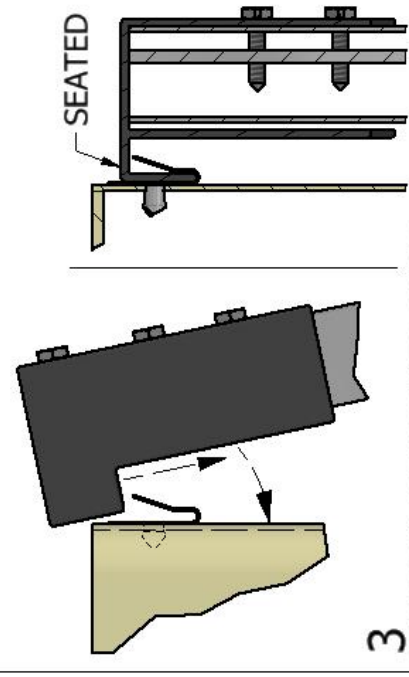
- A complete set of Gards for a VRF unit includes several "panels".
- Mark where the SPRING CLIPS need to be placed at top of VRF unit, drill 5.5mm holes.
- Each Panel already has the magnets attached to Lower Corners.



1
 DRILL 5.5mm HOLE (2X) PER GUARD THRU VRV-PANEL MEASURED BETWEEN CORNERS



2
 INSERT SPRING CLIP INTO THE 5.5mm HOLES
 SPRING CLIP WILL PINCH TO GET THROUGH THE HOLE

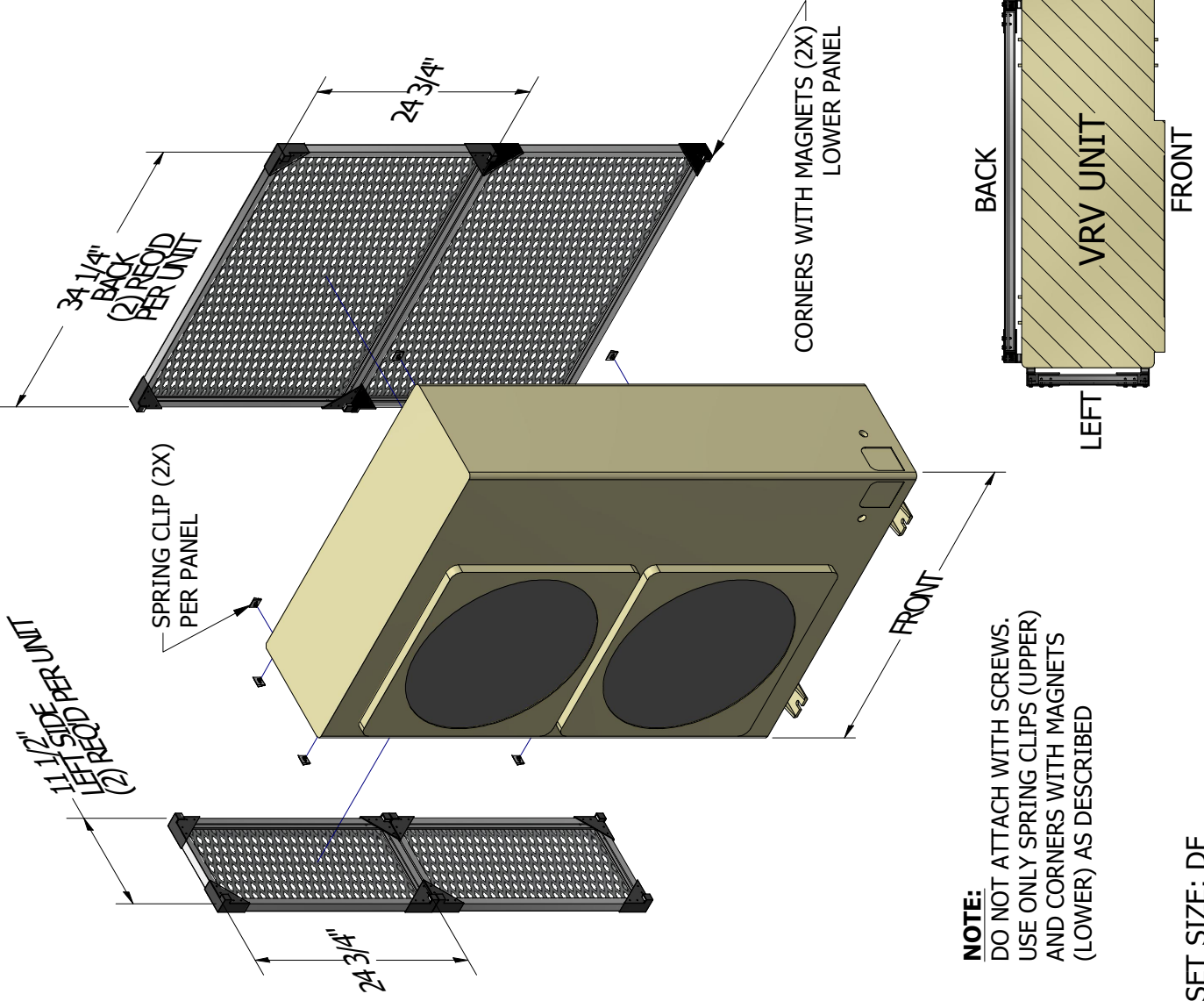


3
 PLACE OPEN CORNERS INTO SPRING CLIPS. THE MAGNET CORNERS WILL CONNECT LOWER PANEL TO VRV.

DAIKIN VRV
 OUTDOOR UNIT
 MINI SPLIT

AlumaGard & WireGard

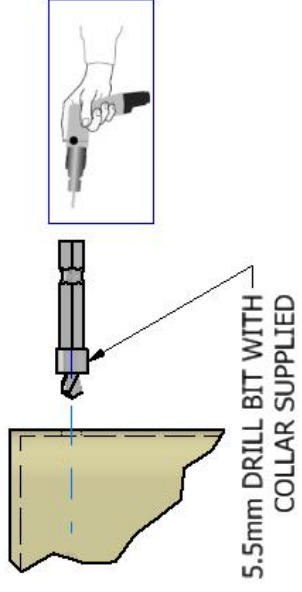
HARDGARD



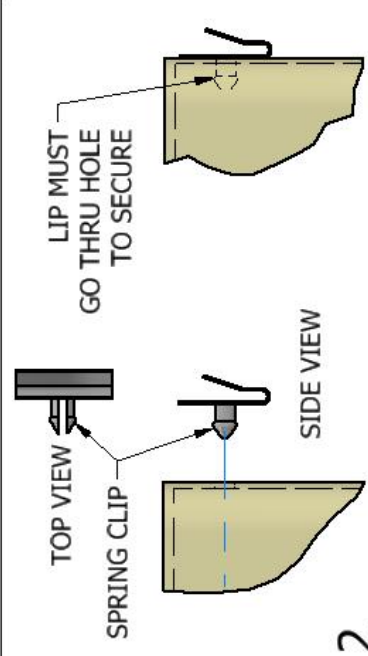
NOTE:
 DO NOT ATTACH WITH SCREWS.
 USE ONLY SPRING CLIPS (UPPER)
 AND CORNERS WITH MAGNETS
 (LOWER) AS DESCRIBED

SET SIZE: DF

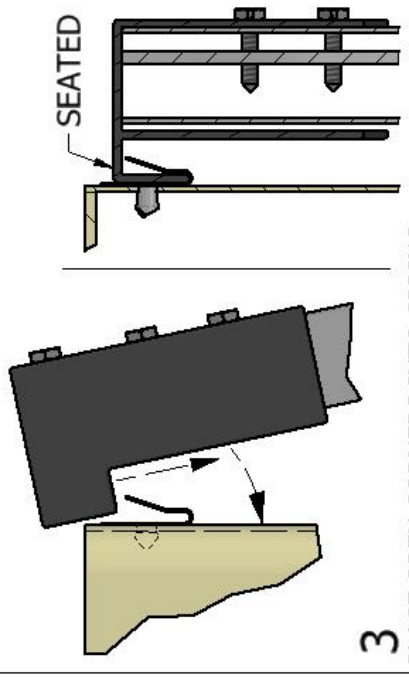
- A complete set of Gards for a VRF unit includes several "panels".
- Mark where the SPRING CLIPS need to be placed at top of VRF unit, drill 5.5mm holes.
- Each Panel already has the magnets attached to Lower Corners.



1
 5.5mm DRILL BIT WITH COLLAR SUPPLIED
 DRILL 5.5mm HOLE (2X) PER GUARD THRU VRV-PANEL MEASURED BETWEEN CORNERS



2
 INSERT SPRING CLIP INTO THE 5.5mm HOLES
 SPRING CLIP WILL PINCH TO GET THROUGH THE HOLE

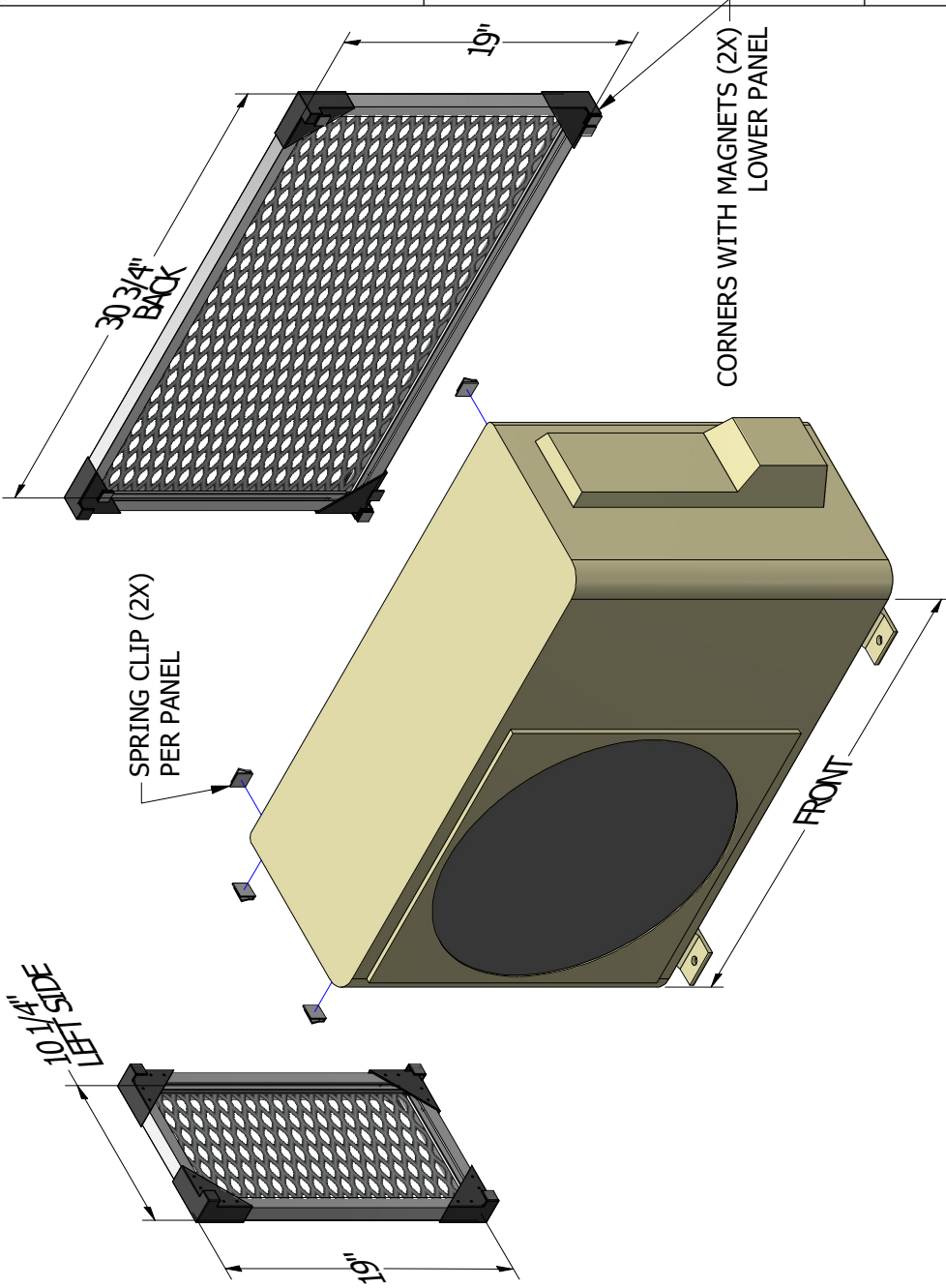


3
 PLACE OPEN CORNERS INTO SPRING CLIPS. THE MAGNET CORNERS WILL CONNECT LOWER PANEL TO VRV.

DAIKIN VRV
 OUTDOOR UNIT
 MINI SPLIT

AlumaGard & WireGard

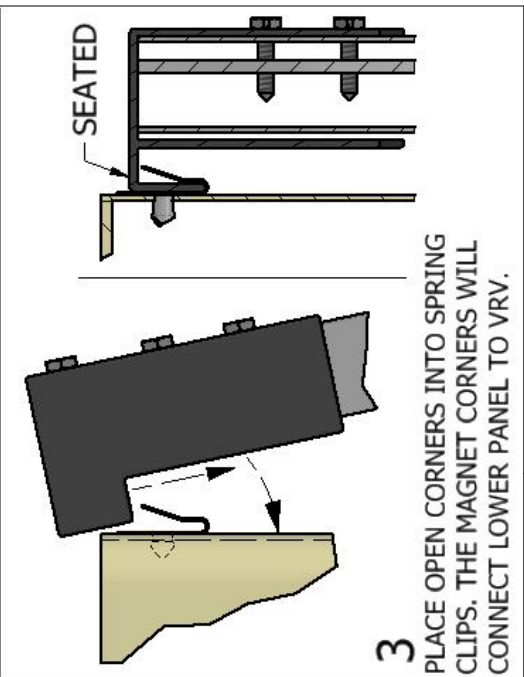
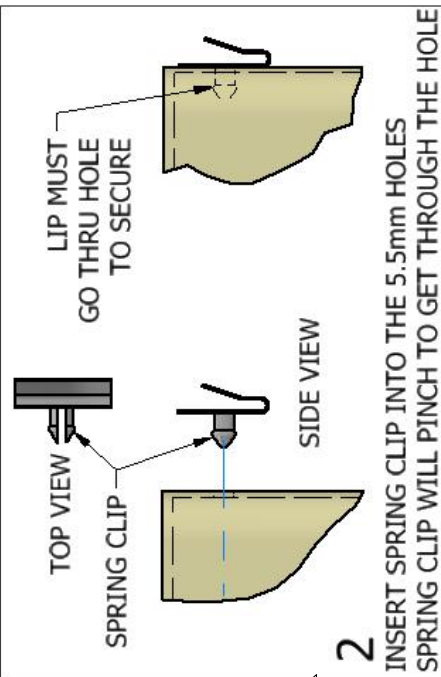
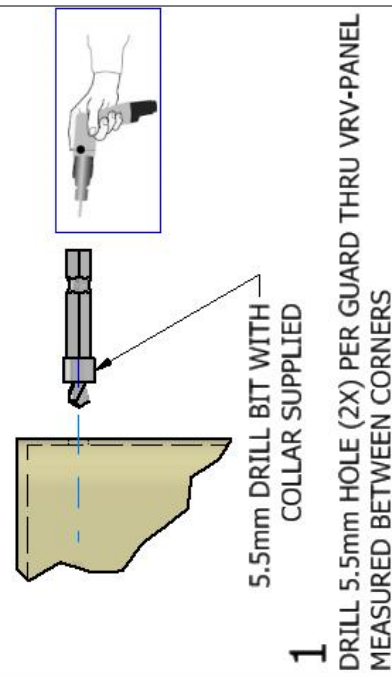
HARGARD



NOTE:
 DO NOT ATTACH WITH SCREWS.
 USE ONLY SPRING CLIPS (UPPER)
 AND CORNERS WITH MAGNETS
 (LOWER) AS DESCRIBED

SET SIZE: DG

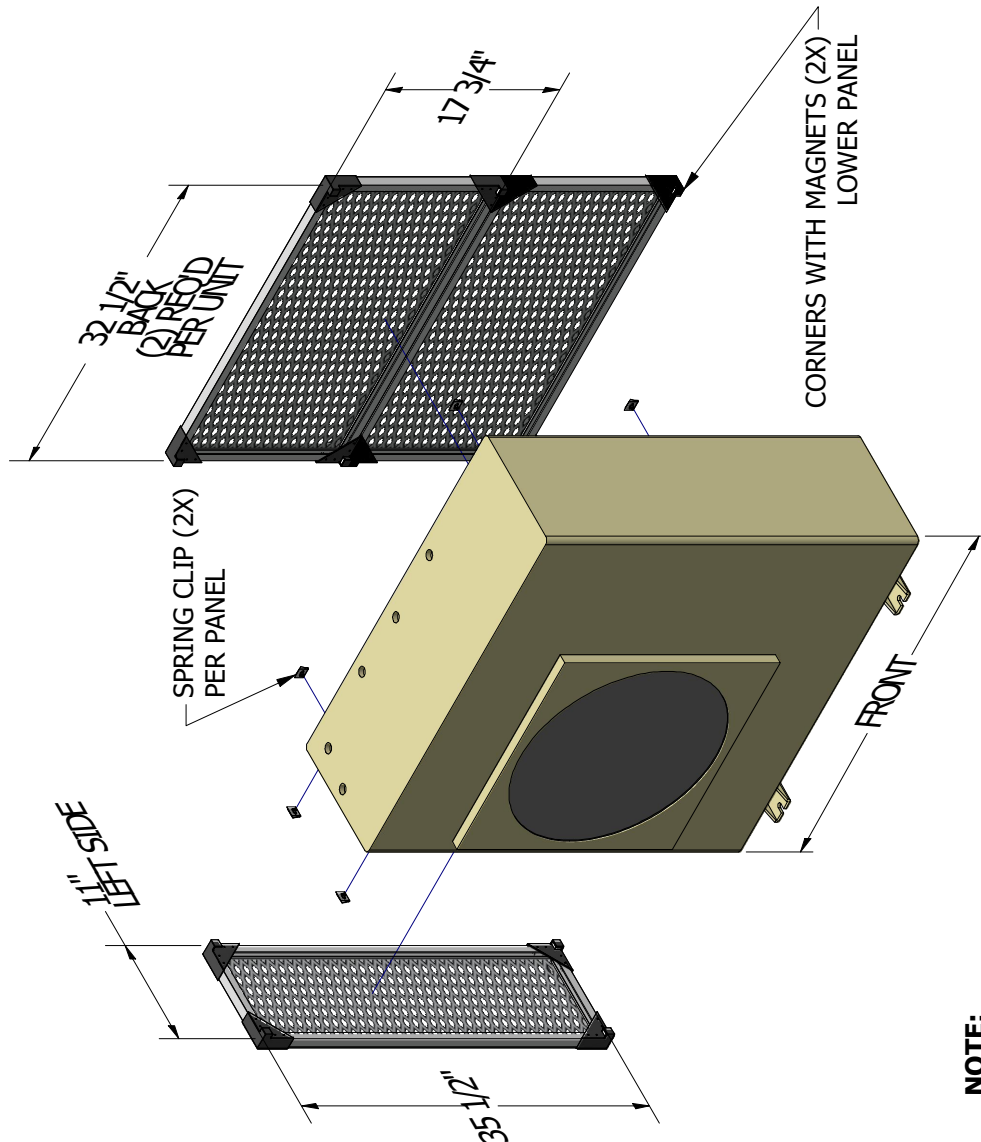
- A complete set of Gards for a VRF unit includes several "panels".
- Mark where the SPRING CLIPS need to be placed at top of VRF unit, drill 5.5mm holes.
- Each Panel already has the magnets attached to Lower Corners.



DAIKIN VRV
 OUTDOOR UNIT
 MINI SPLIT

AlumaGard & WireGard

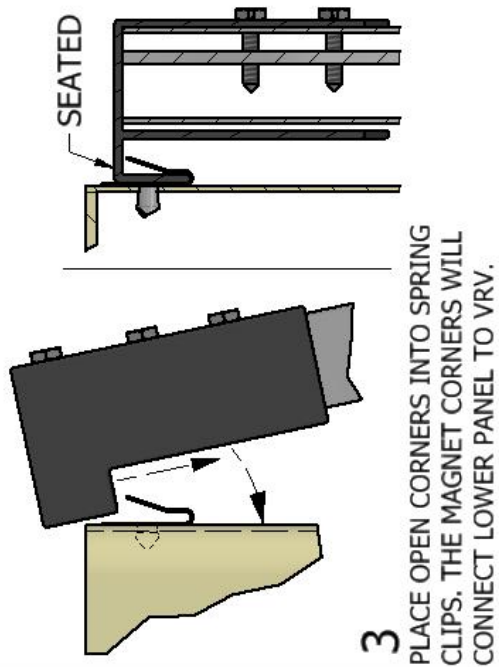
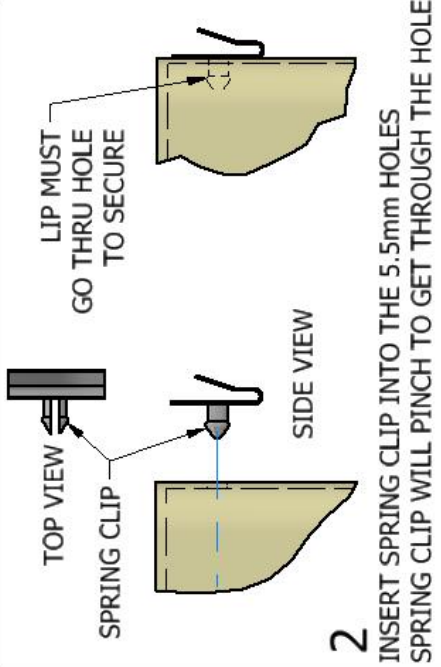
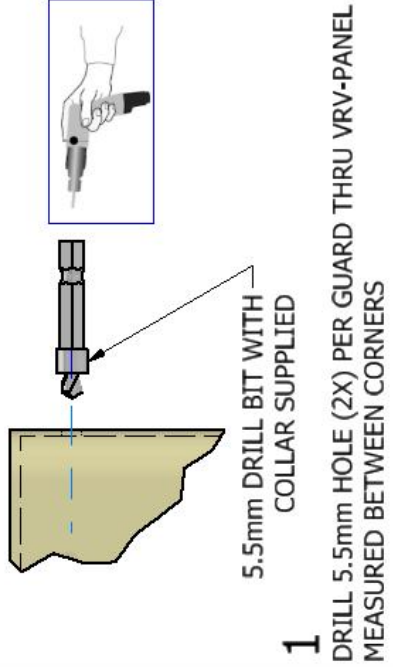
HARGARD



NOTE:
 DO NOT ATTACH WITH SCREWS.
 USE ONLY SPRING CLIPS (UPPER)
 AND CORNERS WITH MAGNETS
 (LOWER) AS DESCRIBED

SET SIZE: DH

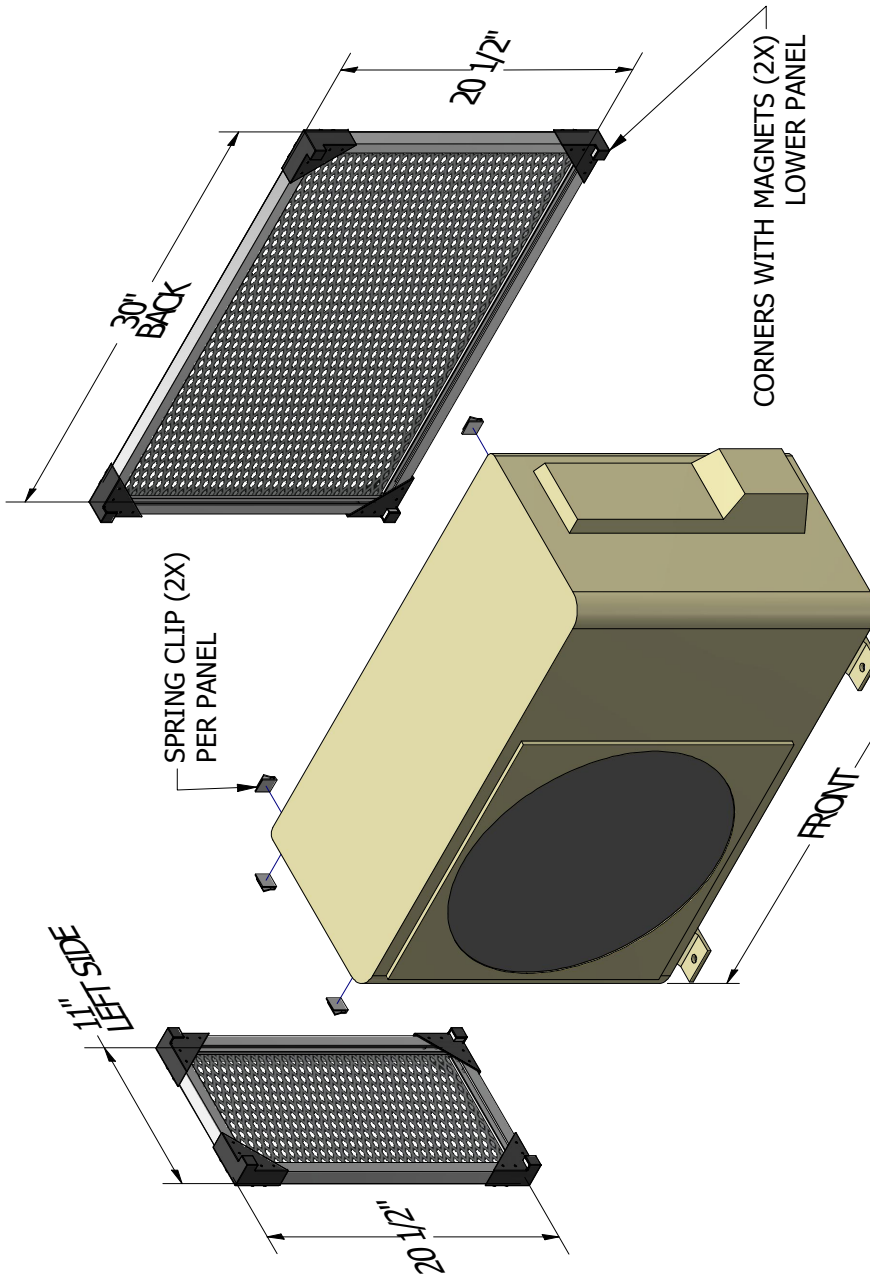
- A complete set of Gards for a VRF unit includes several "panels".
- Mark where the SPRING CLIPS need to be placed at top of VRF unit, drill 5.5mm holes.
- Each Panel already has the magnets attached to Lower Corners.



DAIKIN VRV
 OUTDOOR UNIT
 MINI SPLIT

AlumaGard & WireGard

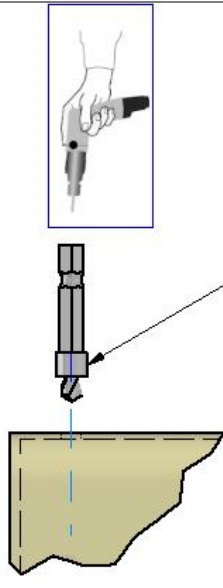
HARDGARD



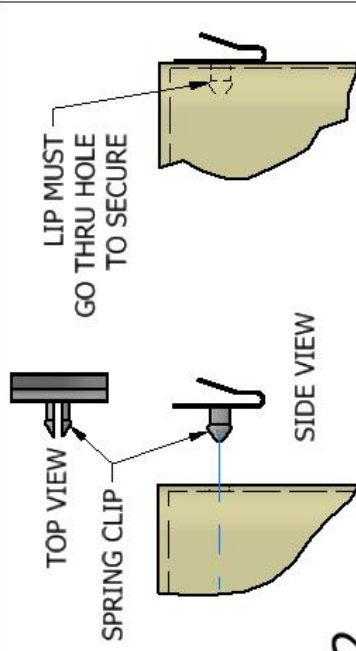
NOTE:
 DO NOT ATTACH WITH SCREWS.
 USE ONLY SPRING CLIPS (UPPER)
 AND CORNERS WITH MAGNETS
 (LOWER) AS DESCRIBED

SET SIZE: DJ

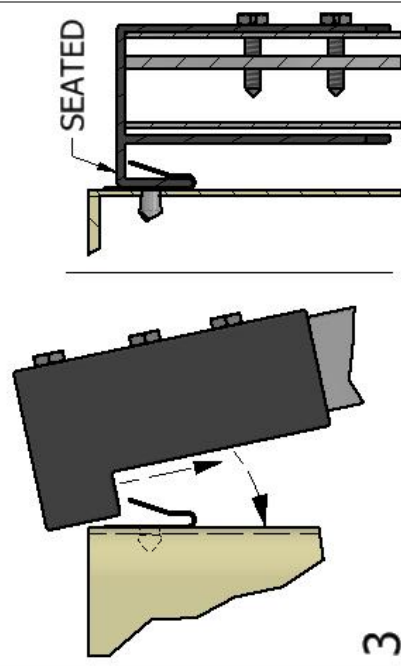
- A complete set of Gards for a VRF unit includes several "panels".
- Mark where the SPRING CLIPS need to be placed at top of VRF unit, drill 5.5mm holes.
- Each Panel already has the magnets attached to Lower Corners.



1
 5.5mm DRILL BIT WITH COLLAR SUPPLIED
 DRILL 5.5mm HOLE (2X) PER GUARD THRU VRV-PANEL MEASURED BETWEEN CORNERS



2
 INSERT SPRING CLIP INTO THE 5.5mm HOLES
 SPRING CLIP WILL PINCH TO GET THROUGH THE HOLE

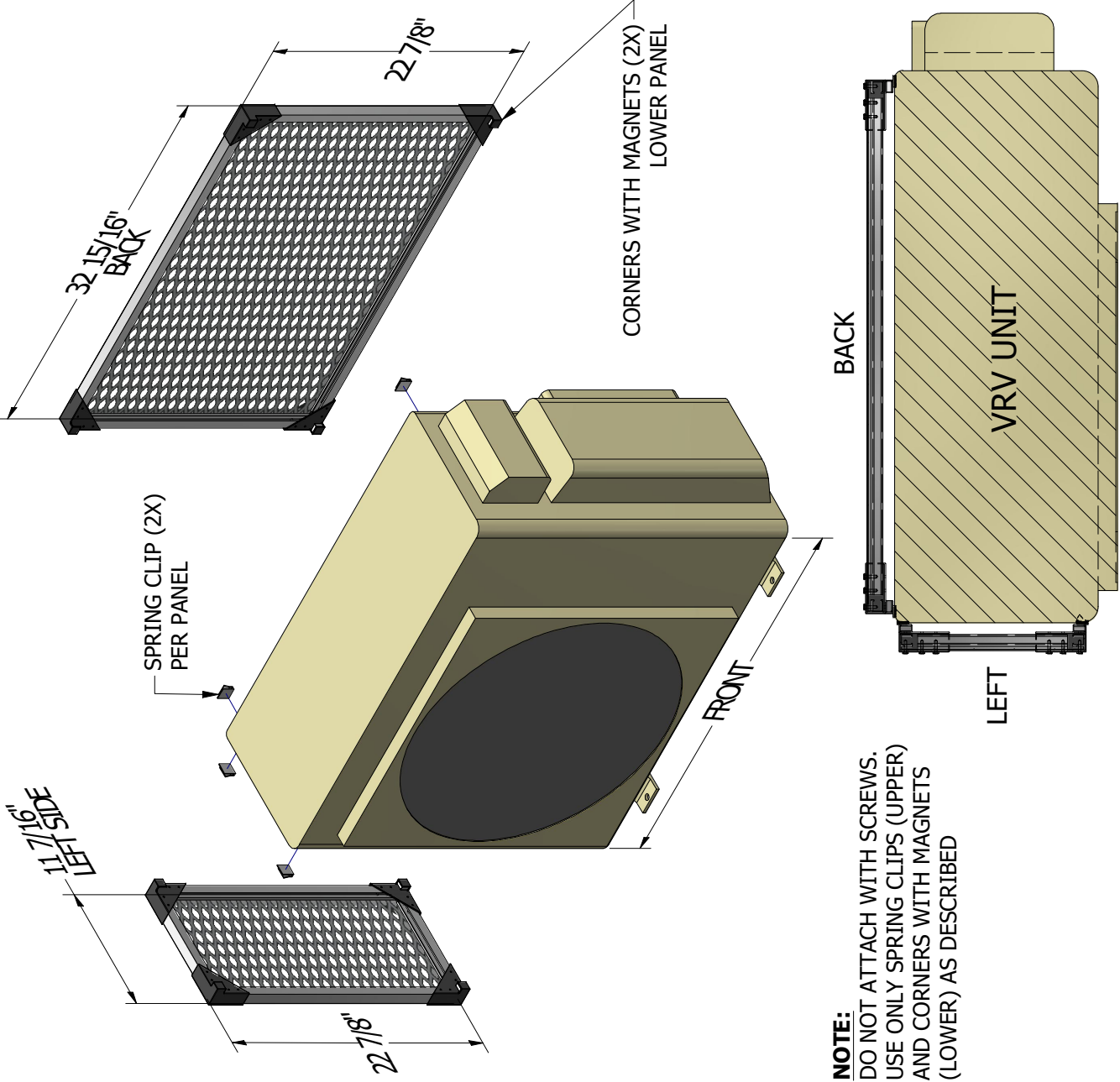


3
 PLACE OPEN CORNERS INTO SPRING CLIPS, THE MAGNET CORNERS WILL CONNECT LOWER PANEL TO VRV.

DAIKIN VRV
 OUTDOOR UNIT
 MINI SPLIT

AlumaGard & WireGard

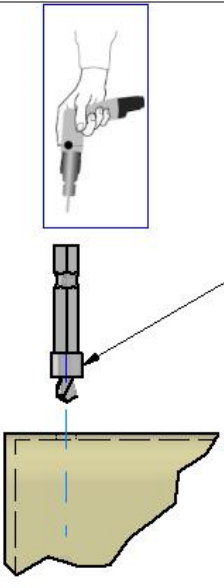
HARDGARD



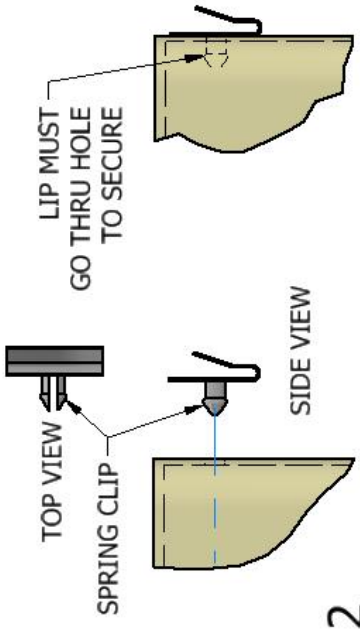
NOTE:
 DO NOT ATTACH WITH SCREWS.
 USE ONLY SPRING CLIPS (UPPER)
 AND CORNERS WITH MAGNETS
 (LOWER) AS DESCRIBED

SET SIZE: DK

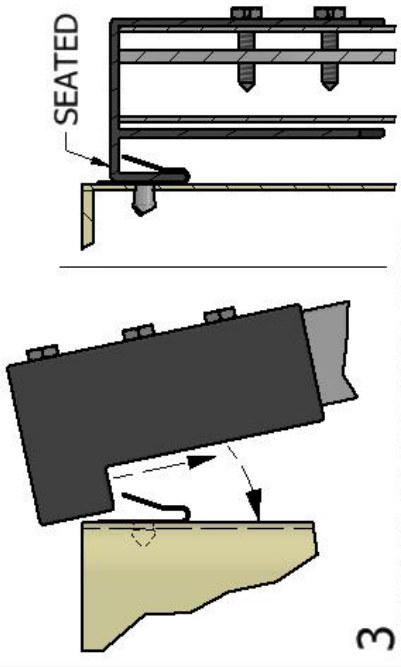
- A complete set of Gards for a VRF unit includes several "panels".
- Mark where the SPRING CLIPS need to be placed at top of VRF unit, drill 5.5mm holes.
- Each Panel already has the magnets attached to Lower Corners.



1
 5.5mm DRILL BIT WITH COLLAR SUPPLIED
 DRILL 5.5mm HOLE (2X) PER GUARD THRU VRV-PANEL MEASURED BETWEEN CORNERS



2
 INSERT SPRING CLIP INTO THE 5.5mm HOLES
 SPRING CLIP WILL PINCH TO GET THROUGH THE HOLE

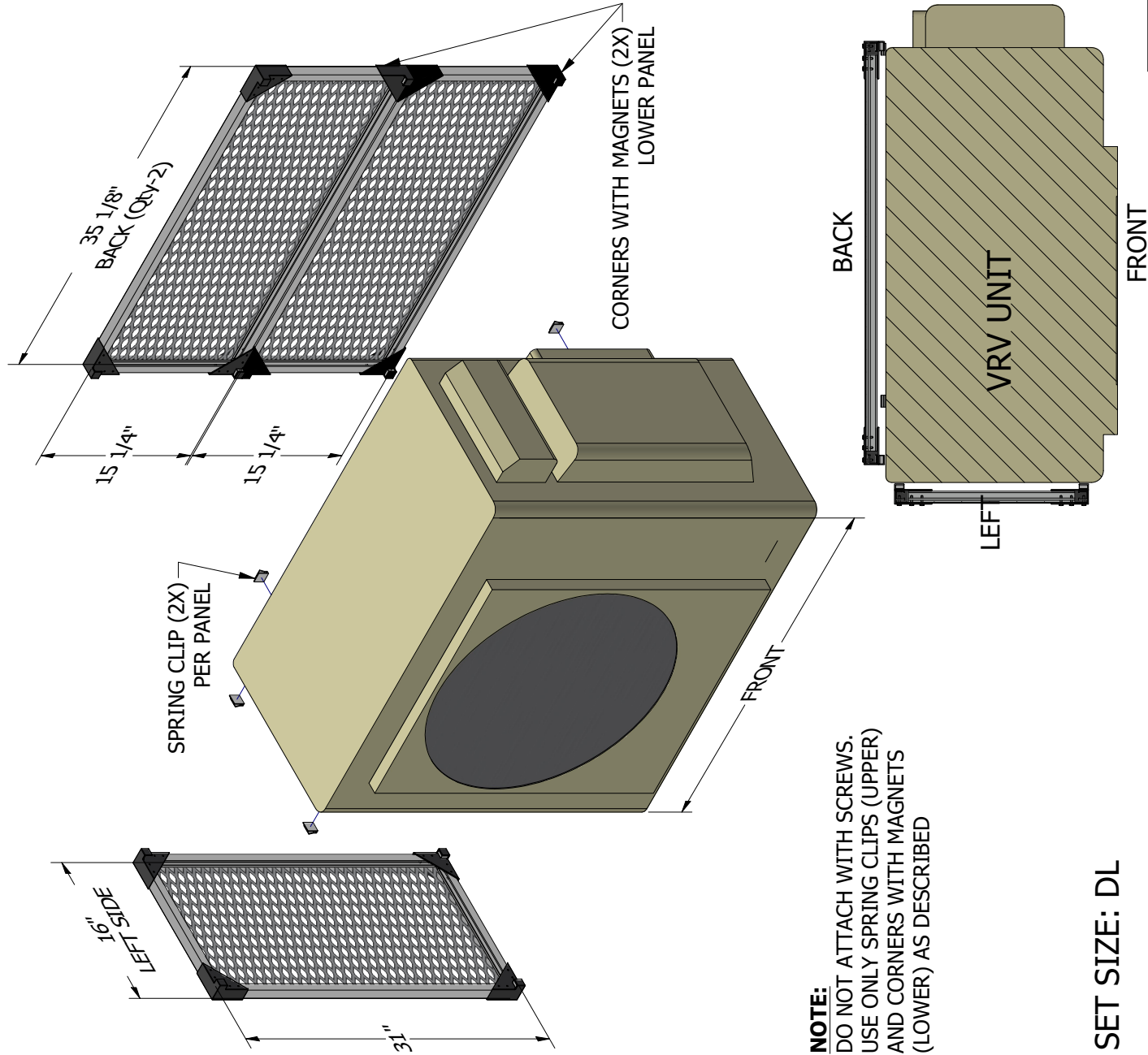


3
 PLACE OPEN CORNERS INTO SPRING CLIPS. THE MAGNET CORNERS WILL CONNECT LOWER PANEL TO VRV.

DAIKIN VRV
 OUTDOOR UNIT
 MINI SPLIT

AlumaGard & WireGard

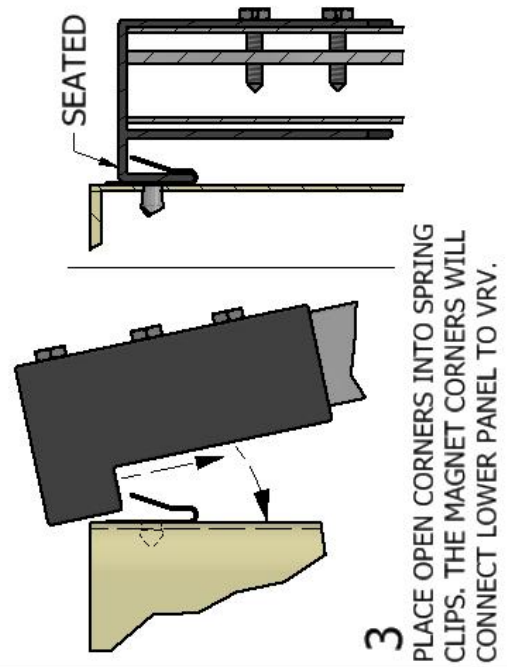
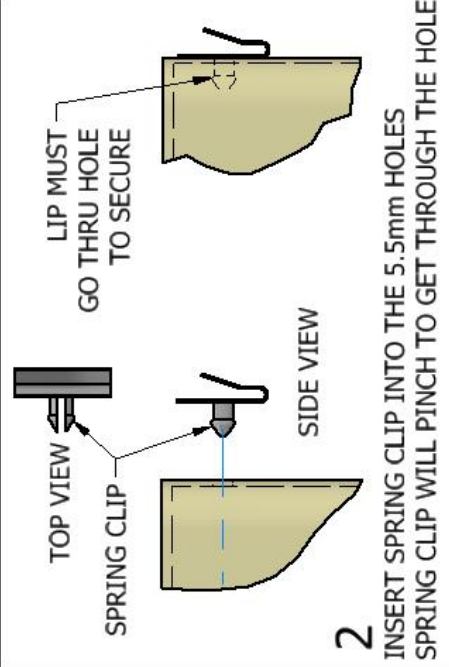
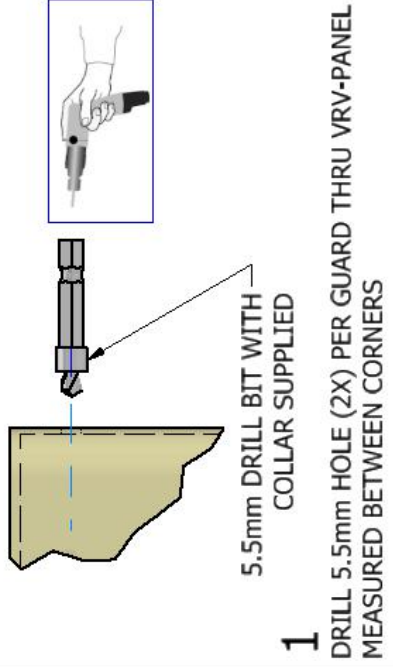
HARDGARD



NOTE:
 DO NOT ATTACH WITH SCREWS.
 USE ONLY SPRING CLIPS (UPPER)
 AND CORNERS WITH MAGNETS
 (LOWER) AS DESCRIBED

SET SIZE: DL

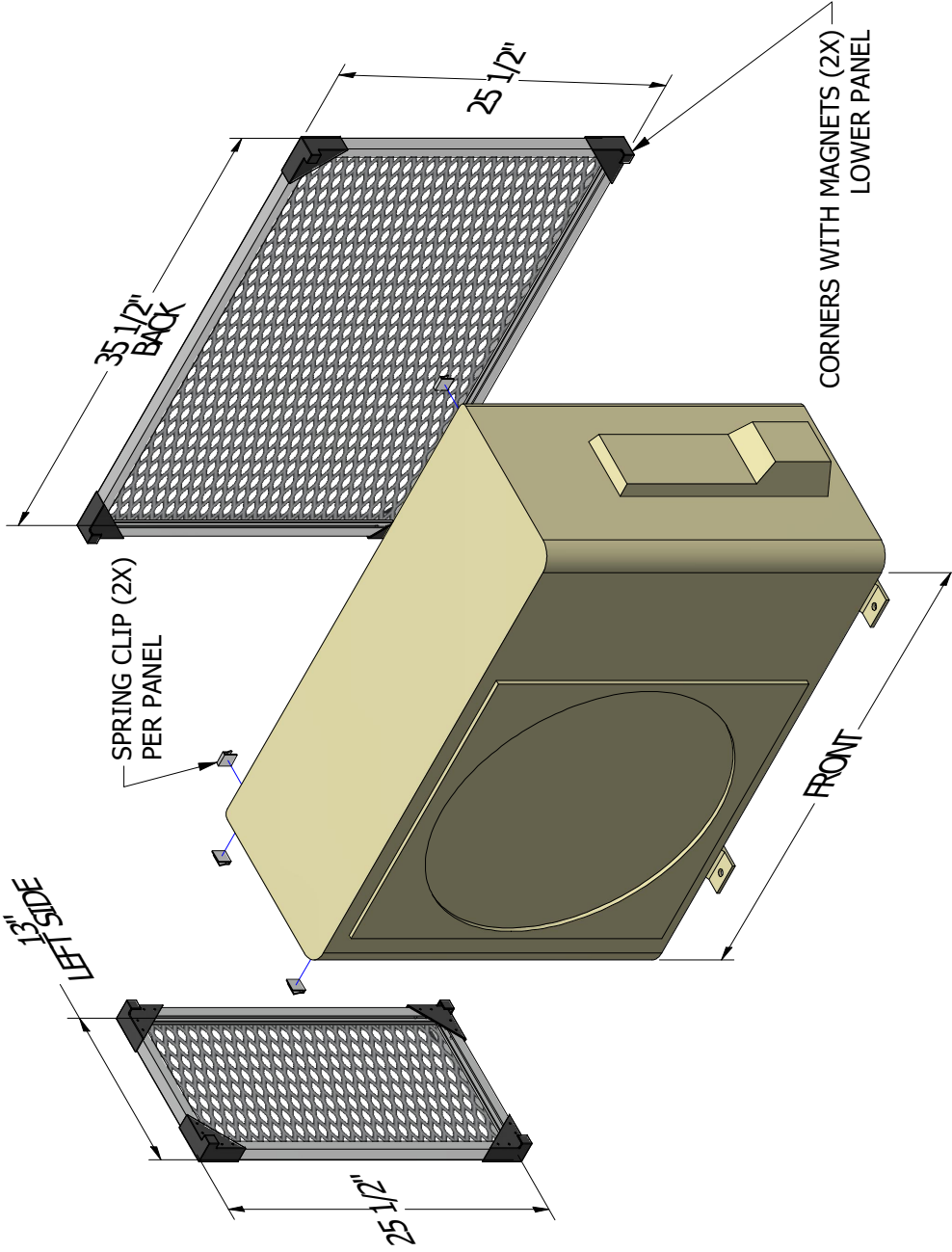
- A complete set of Gards for a VRF unit includes several "panels".
- Mark where the SPRING CLIPS need to be placed at top of unit, drill 5.5mm holes.
- Each Panel already has the magnets attached to Lower Corners.



DAIKIN VRV
 OUTDOOR UNIT
 MINI SPLIT

AlumaGard & WireGard

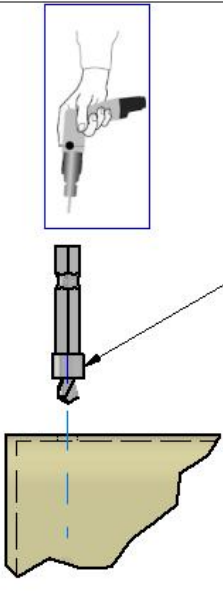
HARIGARD



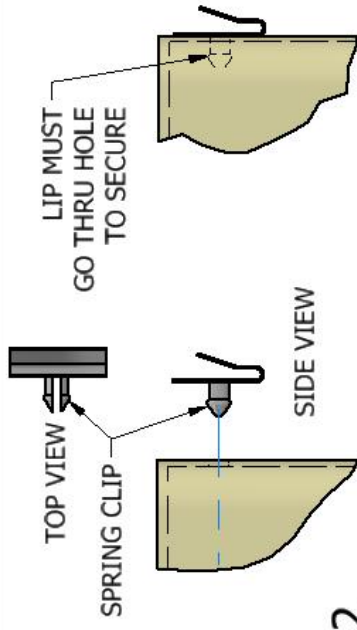
NOTE:
 DO NOT ATTACH WITH SCREWS.
 USE ONLY SPRING CLIPS (UPPER)
 AND CORNERS WITH MAGNETS
 (LOWER) AS DESCRIBED

SET SIZE: DM

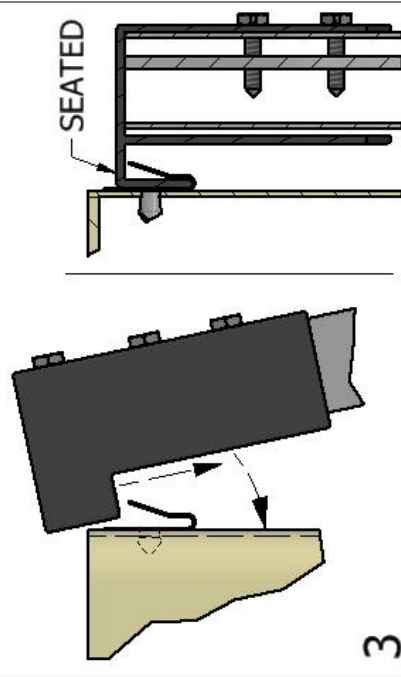
- A complete set of Gards for a VRF unit includes several "panels".
- Mark where the **SPRING CLIPS** need to be placed at top of VRF unit, drill 5.5mm holes.
- Each Panel already has the magnets attached to Lower Corners.



1
 5.5mm DRILL BIT WITH COLLAR SUPPLIED
 DRILL 5.5mm HOLE (2X) PER GUARD THRU VRV-PANEL MEASURED BETWEEN CORNERS



2
 INSERT SPRING CLIP INTO THE 5.5mm HOLES
 SPRING CLIP WILL PINCH TO GET THROUGH THE HOLE

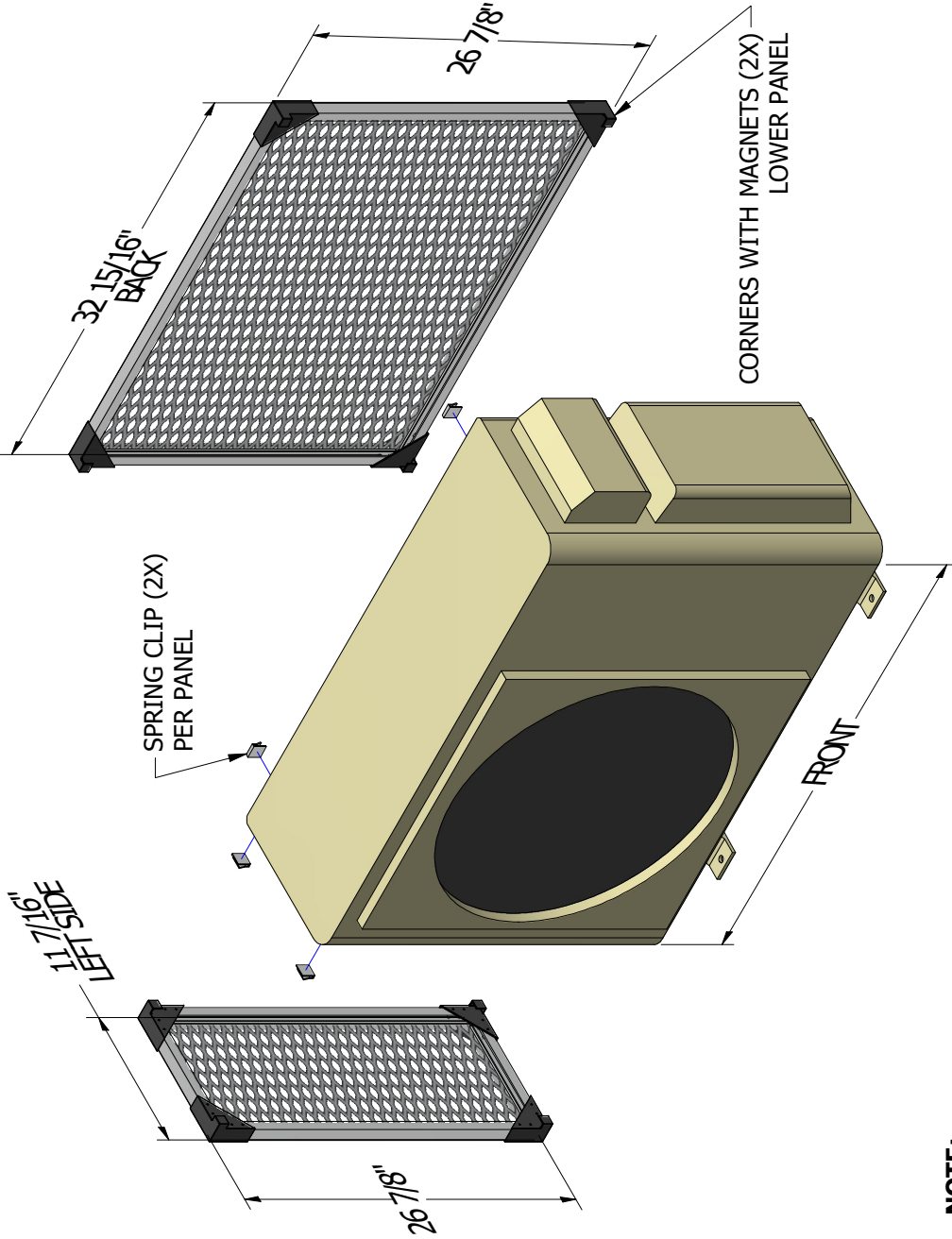


3
 PLACE OPEN CORNERS INTO SPRING CLIPS. THE MAGNET CORNERS WILL CONNECT LOWER PANEL TO VRV.

DAIKIN VRV
 OUTDOOR UNIT
 MINI SPLIT

AlumaGard & WireGard

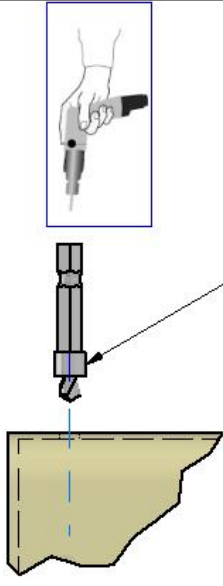
HARDGARD



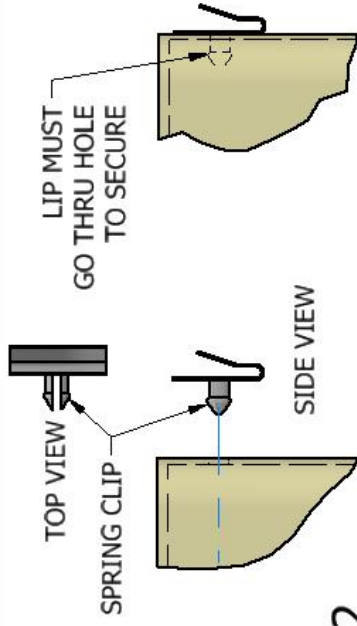
NOTE:
 DO NOT ATTACH WITH SCREWS.
 USE ONLY SPRING CLIPS (UPPER)
 AND CORNERS WITH MAGNETS
 (LOWER) AS DESCRIBED

SET SIZE: DN

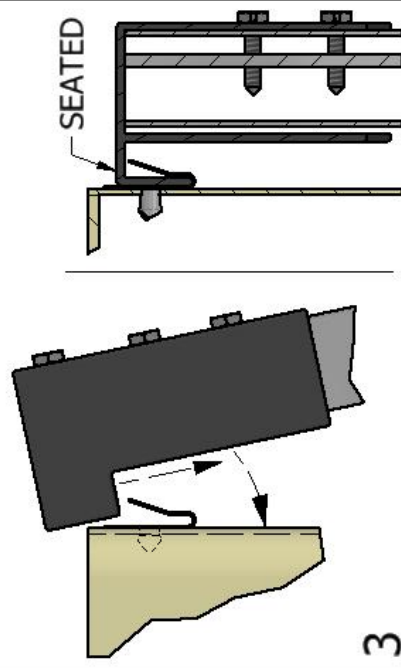
- A complete set of Gards for a VRF unit includes several "panels".
- Mark where the SPRING CLIPS need to be placed at top of VRF unit, drill 5.5mm holes.
- Each Panel already has the magnets attached to Lower Corners.



1
 5.5mm DRILL BIT WITH COLLAR SUPPLIED
 DRILL 5.5mm HOLE (2X) PER GUARD THRU VRV-PANEL MEASURED BETWEEN CORNERS



2
 INSERT SPRING CLIP INTO THE 5.5mm HOLES
 SPRING CLIP WILL PINCH TO GET THROUGH THE HOLE

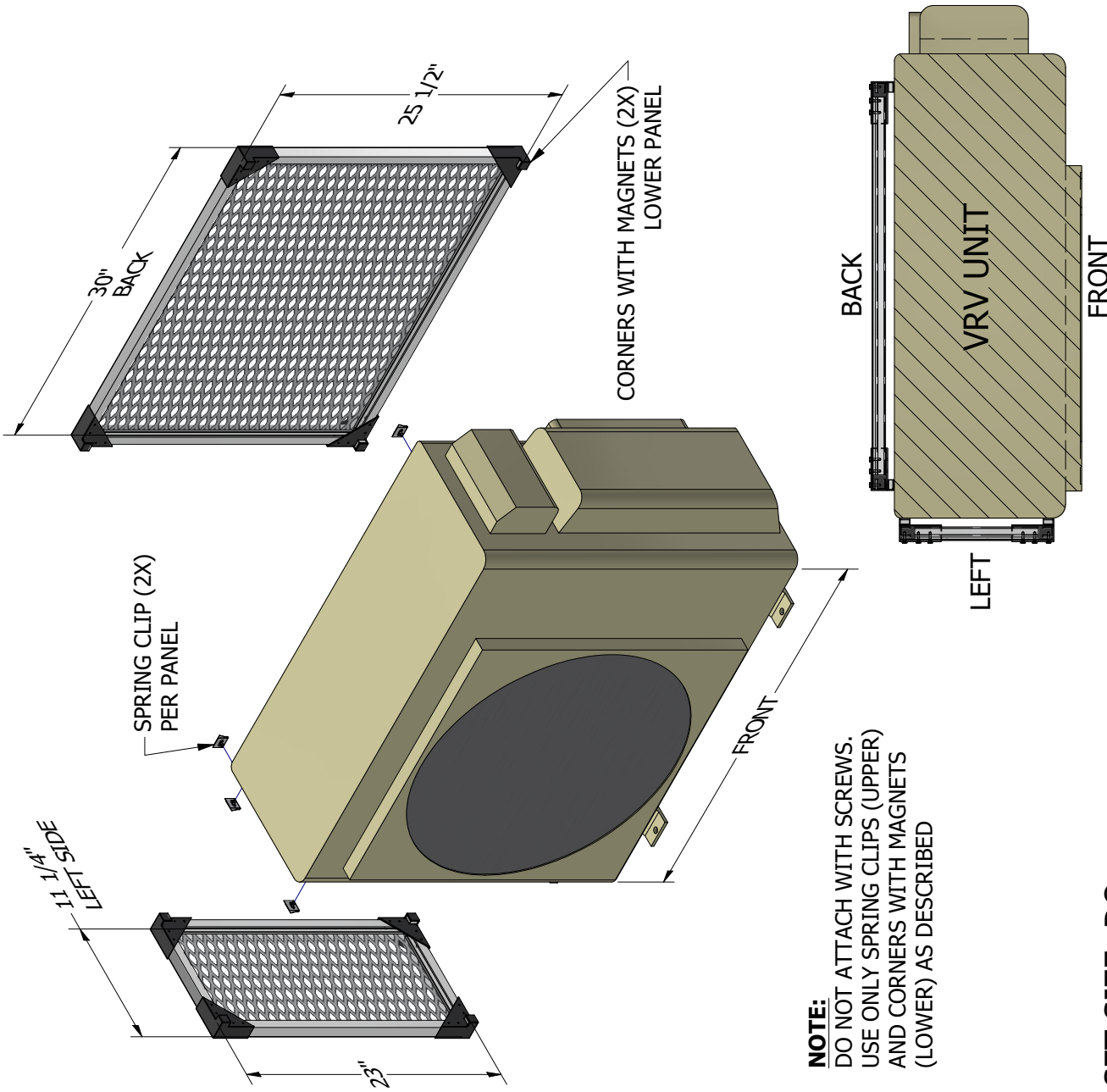


3
 PLACE OPEN CORNERS INTO SPRING CLIPS. THE MAGNET CORNERS WILL CONNECT LOWER PANEL TO VRV.

DAIKIN VRV
 OUTDOOR UNIT
 MINI SPLIT

AlumaGard & WireGard

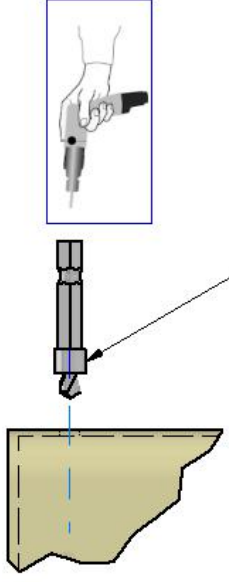
HARDGARD



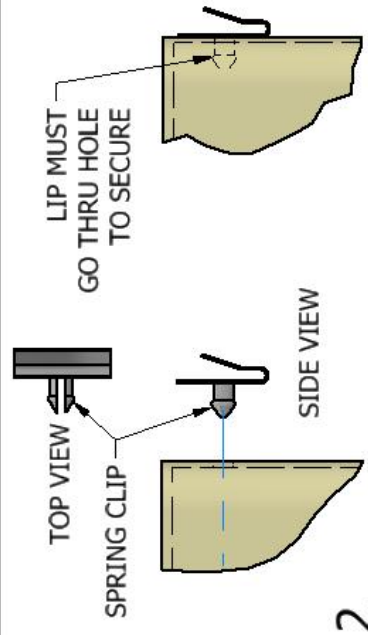
NOTE:
 DO NOT ATTACH WITH SCREWS.
 USE ONLY SPRING CLIPS (UPPER)
 AND CORNERS WITH MAGNETS
 (LOWER) AS DESCRIBED

SET SIZE: DO

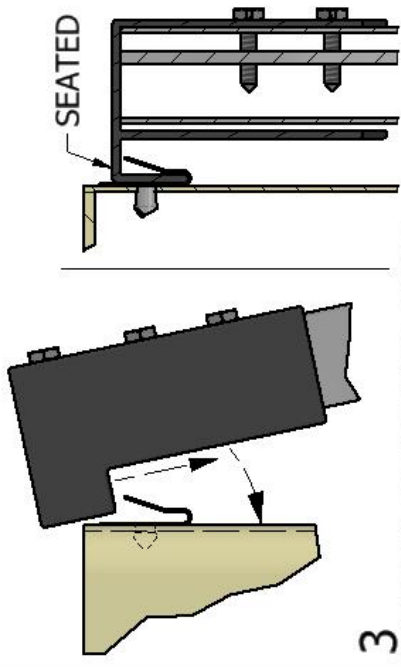
- A complete set of Gards for a VRF unit includes several "panels".
- Mark where the SPRING CLIPS need to be placed at top of VRF unit, drill 5.5mm holes.
- Each Panel already has the magnets attached to Lower Corners.



1
 5.5mm DRILL BIT WITH COLLAR SUPPLIED
 DRILL 5.5mm HOLE (2X) PER GUARD THRU VRV-PANEL MEASURED BETWEEN CORNERS



2
 INSERT SPRING CLIP INTO THE 5.5mm HOLES
 SPRING CLIP WILL PINCH TO GET THROUGH THE HOLE



3
 PLACE OPEN CORNERS INTO SPRING CLIPS. THE MAGNET CORNERS WILL CONNECT LOWER PANEL TO VRV.

DAIKIN VRV
 OUTDOOR UNIT
 MINI SPLIT

AlumaGard & WireGard

HARDGARD